

Vertical Vinyl Film Windows

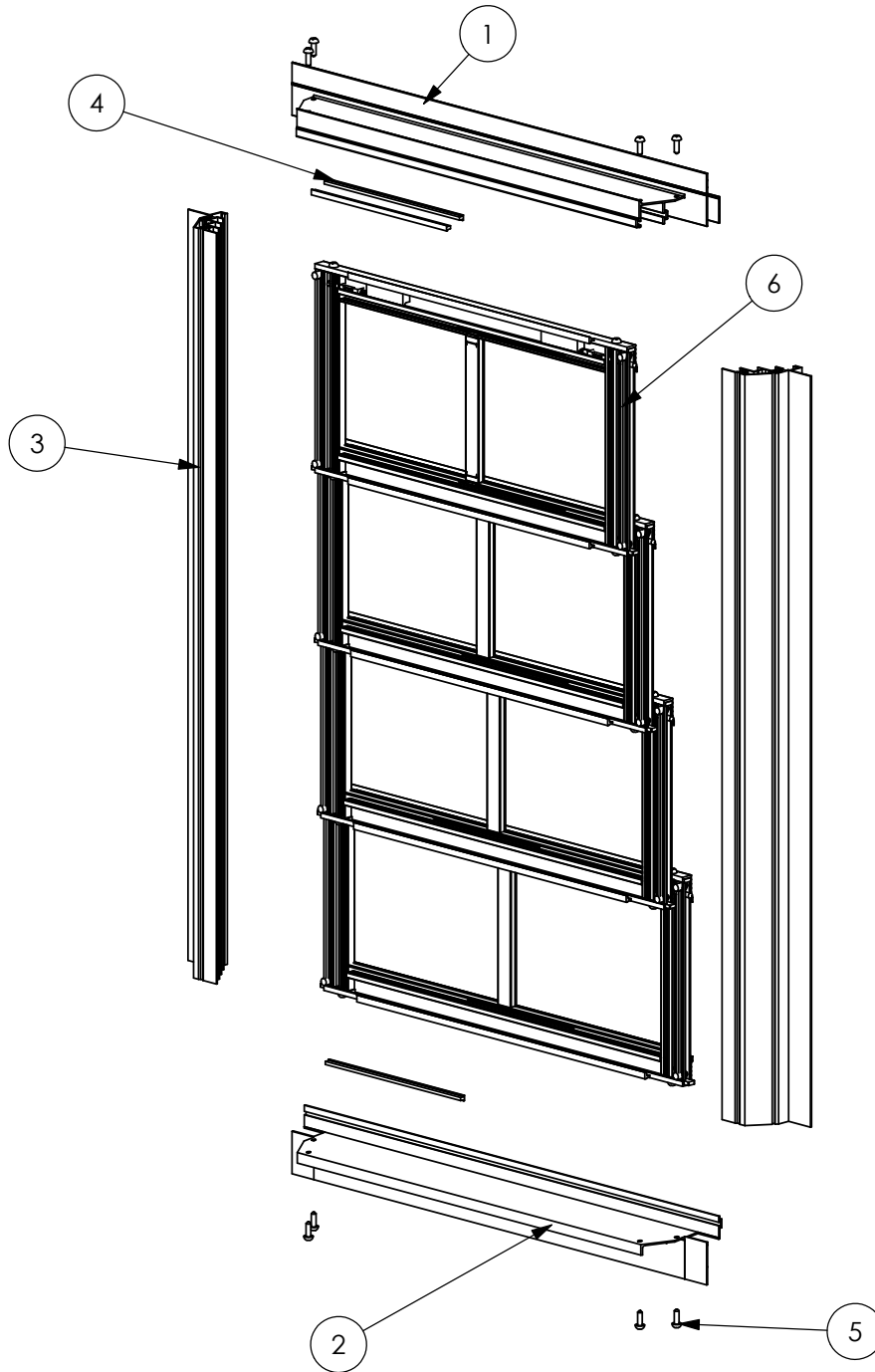


Vertical Vinyl Film Windows feature durable, weather-resistant, 10-mil vinyl. All windows are custom fitted for smooth operation and designed to provide easy cleaning from inside. Our unique design makes ventilation up to 70% possible. If you live on a golf course, among trees, or have active children or pets, you'll appreciate the durability of Custom Window Systems Vinyl Film Windows. The highest quality vinyl, as well as every bit of hardware, both visible and unseen by the consumer, compliments carefully tested designs that are proven durable and user-friendly. Select either our vertical spring-loaded style window, or our tilt pin style with stainless steel retaining springs for reliable springs and reliable operation. Either style offers our unique fresh-air system which gives you up to 70% ventilation. The perfect balance of beauty and practicality from Custom Window Systems Vertical Vinyl Film Windows. Designed to be easily installed with no expensive remodeling costs, these vinyl film windows offer the perfect solution for homeowners seeking style and safety.





4 TRACK PIN



Number	Part
1	HEAD
2	SILL
3	JAMB
4	WOOLPILE
5	ASSEMBLY SCREW
6	SASH ASSEMBLY



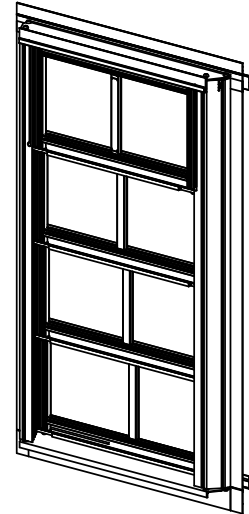
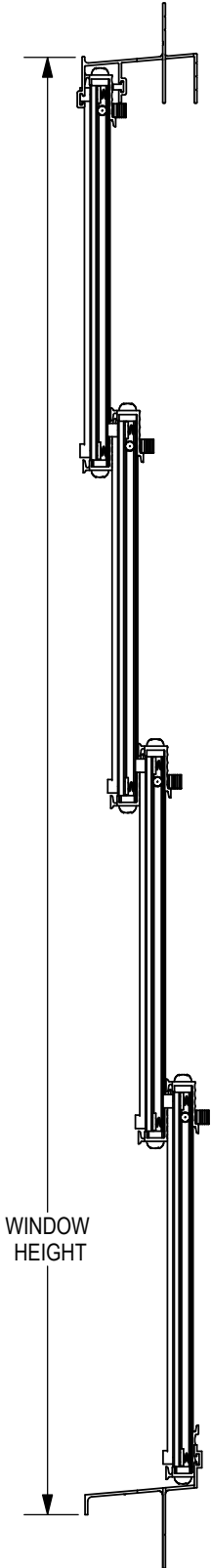
SIDE VIEW I.S.M.

4 TRACK PIN

Specifications:

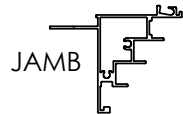
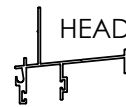
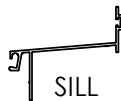
- Aluminum frame 6063-T6
- Removable panels
- Frame color: White and Bronze
- Unique design allows for ventilation up to 70%
- Durable, weather resistant, 10-mil vinyl
- Stainless fasteners
- Tilt out vents for easy cleaning
- Golf course friendly
- Vinyl Colors: Clear, Bronze, Purple, and Smoke Gray

CwikQuality™ 10-year warranty

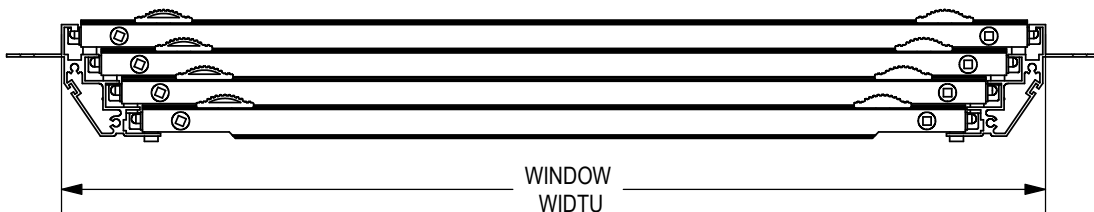


Note: Custom Window Systems, Inc reserves the right to change material design and/or construction without notice or liability.

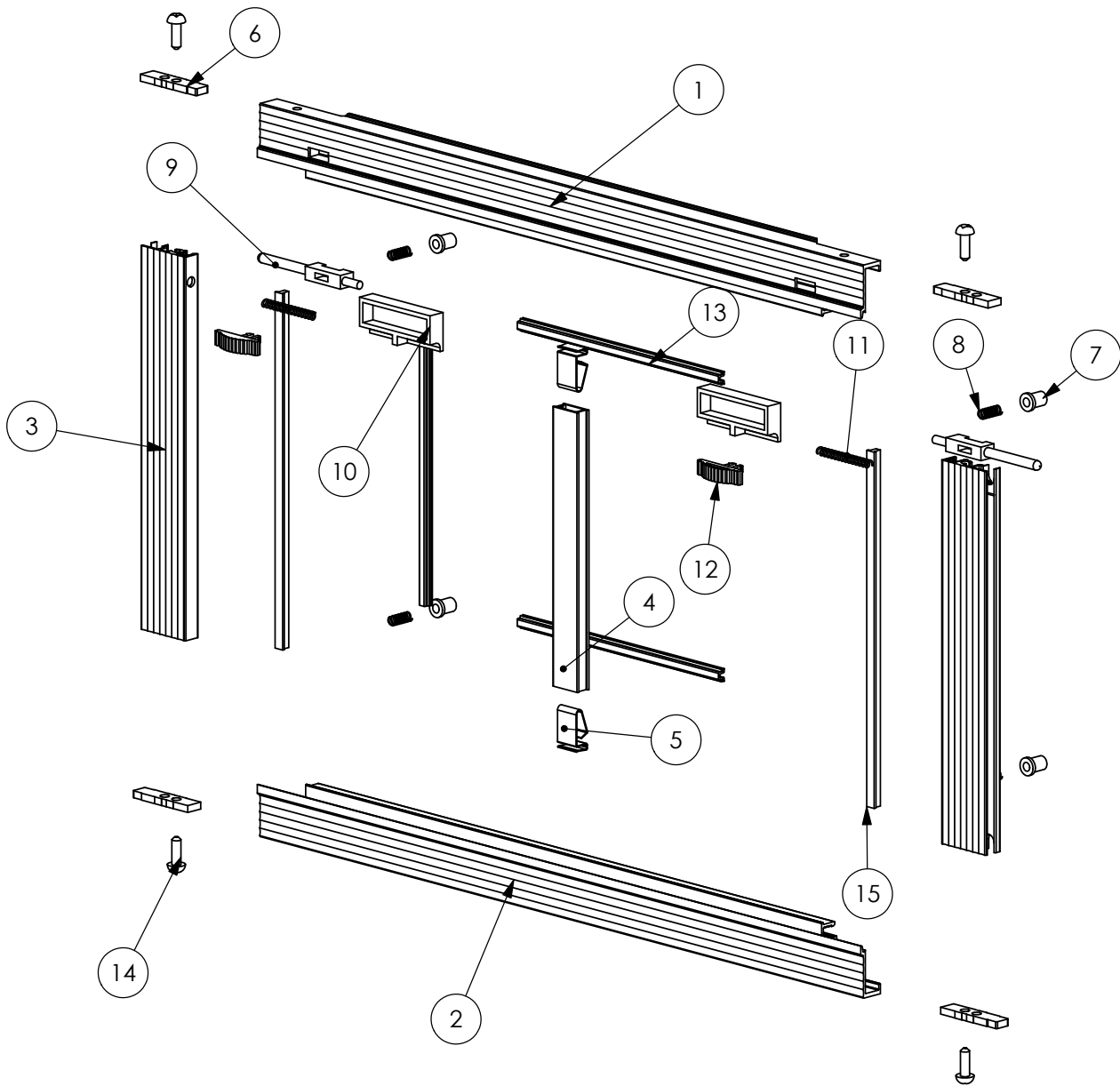
4 TRACK PIN O.S.M



TOP VIEW I.S.M.



PIN VENT

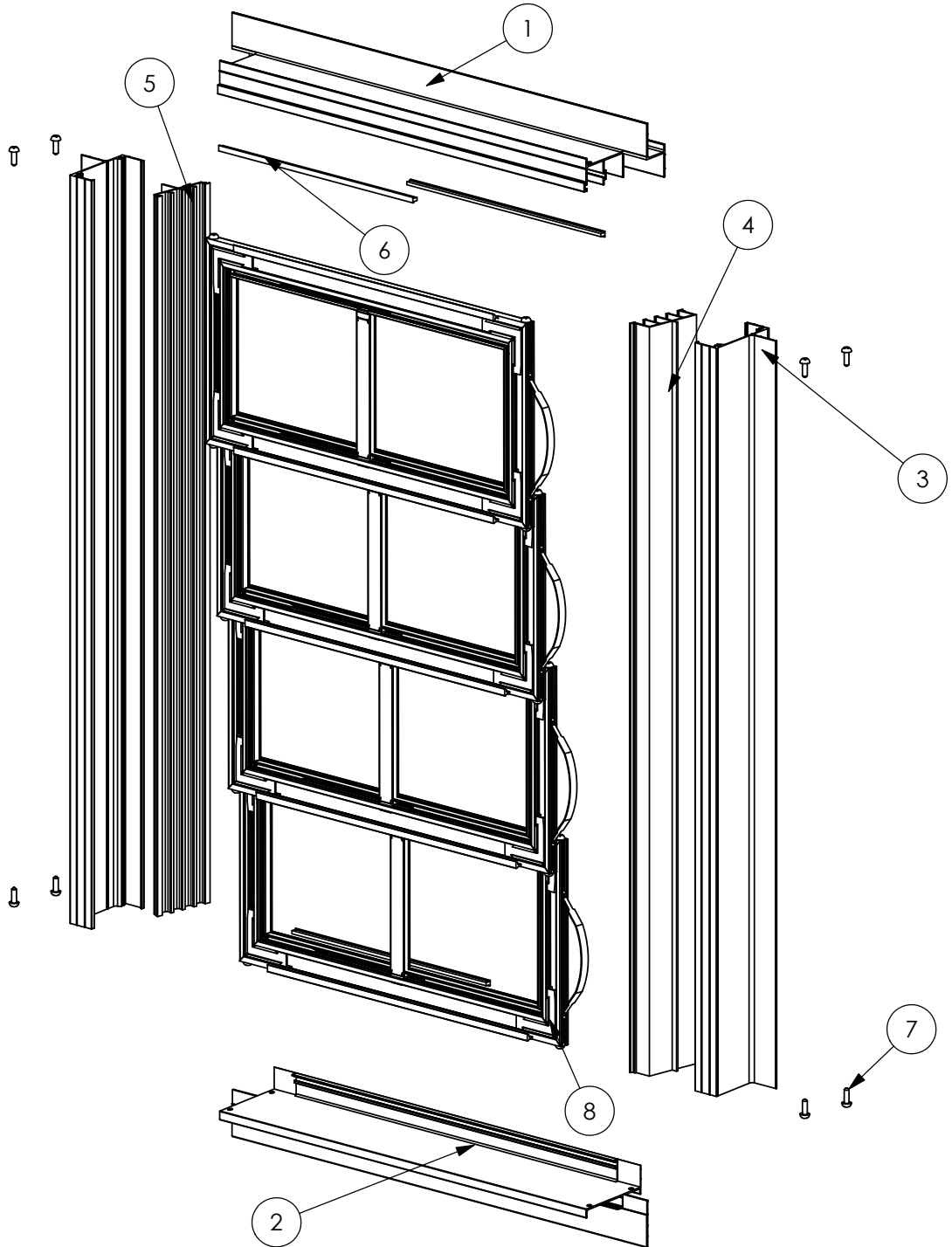


Number	Part
1	HEAD
2	SILL
3	JAMB
4	CENTERBAR
5	CENTERBAR CLIP

Number	Part
6	GUIDE
7	TENSION CAP
8	TENSION CAP SPRING
9	PLUNGER
10	SPRING RETAINER

Number	Part
11	PLUNGER SPRING
12	THUMB BUTTON
13	VSPLINE
14	ASSEMBLY SCREW
15	WOOLPILE

4 TRACK SPRING

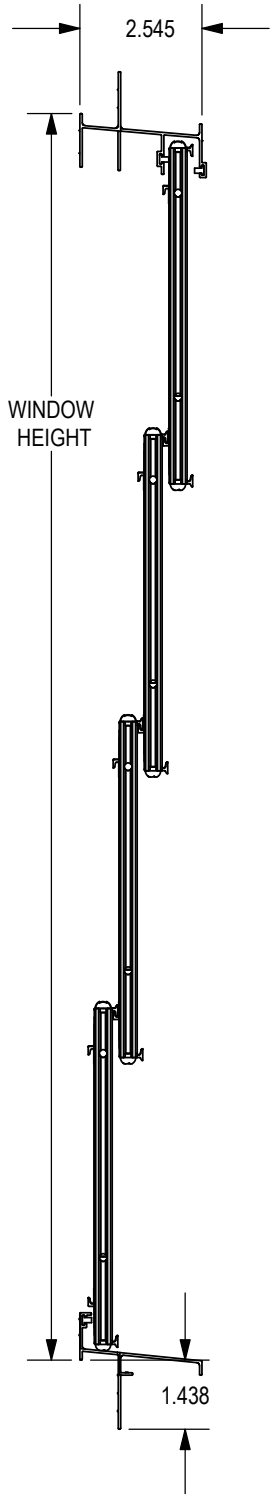


Number	Part
1	HEAD
2	SILL
3	JAMB
4	DEEP INSERT
5	SHALLOW INSERT

Number	Part
6	WOOLPILE
7	ASSEMBLY SCREW
8	SASH ASSEMBLY

4TRACK SPRING I.S.M.

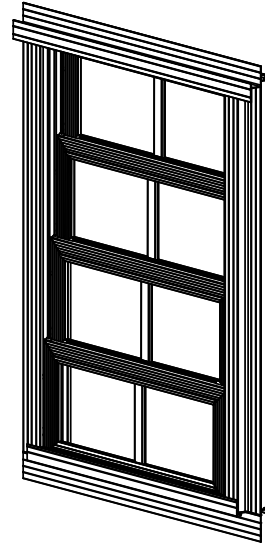
SIDE VIEW



Specifications:

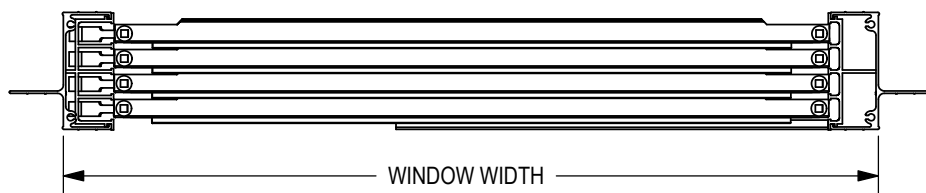
- Aluminum frame 6063-T6
- Vinyl track inserts
- Frame color: White and Bronze
- Unique design allows for ventilation up to 70%
- Durable, weather resistant, 10-mil vinyl
- Stainless fasteners
- Golf course friendly
- Vinyl Colors: Clear, Bronze, Purple, and Smoke Gray

CwikQuality™ 10-year warranty

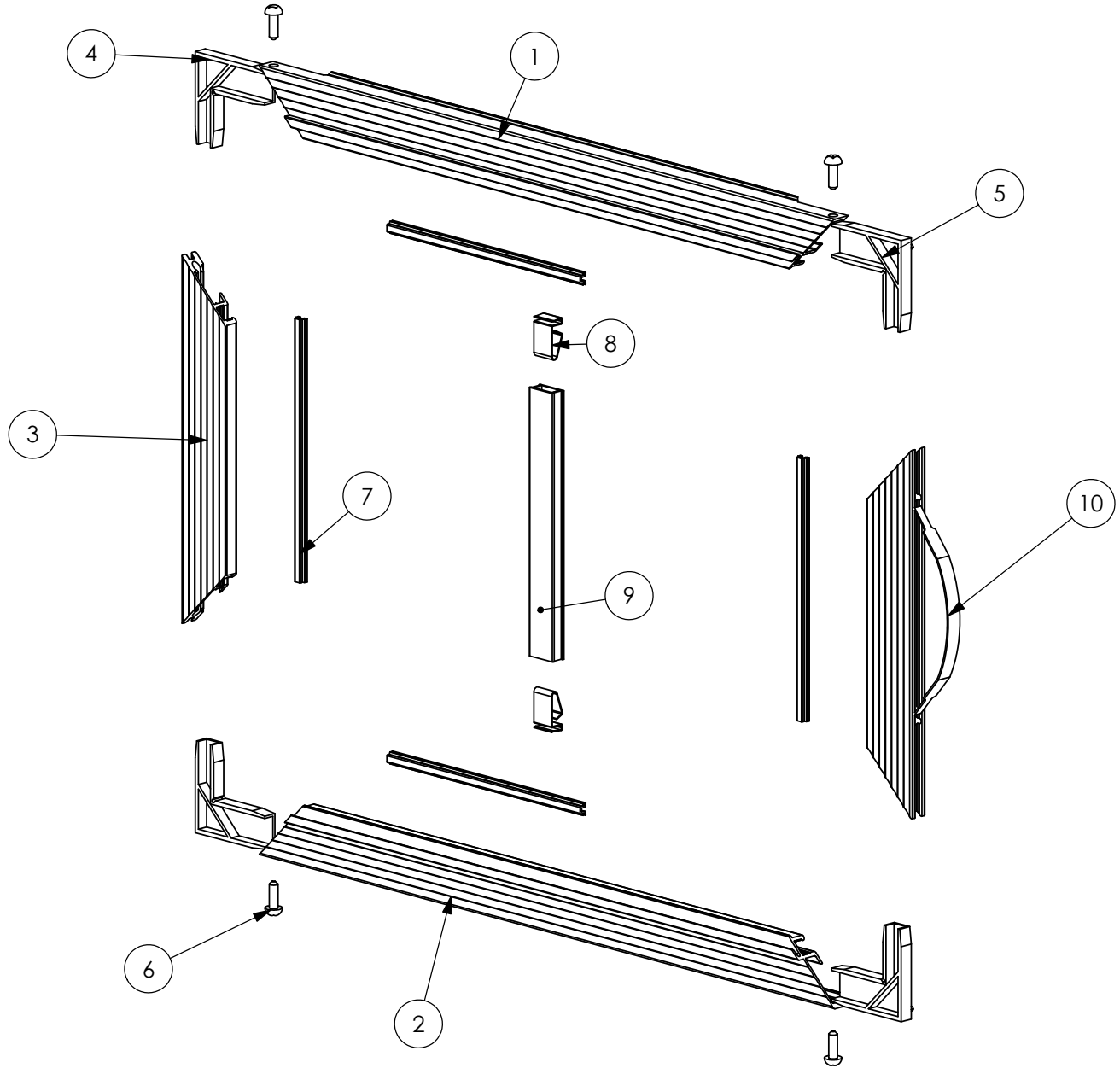


Note: Custom Window Systems, Inc reserves the right to change material design and/or construction without notice or liability.

TOP VIEW



SPRING VENT



Number	Part
1	VENT TOP
2	VENT BOTTOM
3	VENT SASH
4	(A) CORNER KEY
5	(B) CORNER KEY

Number	Part
6	ASSEMBLY SCREW
7	V-SPLINE
8	SPREADERBAR CLIP
9	MUNTIN
10	VENT SPRING