

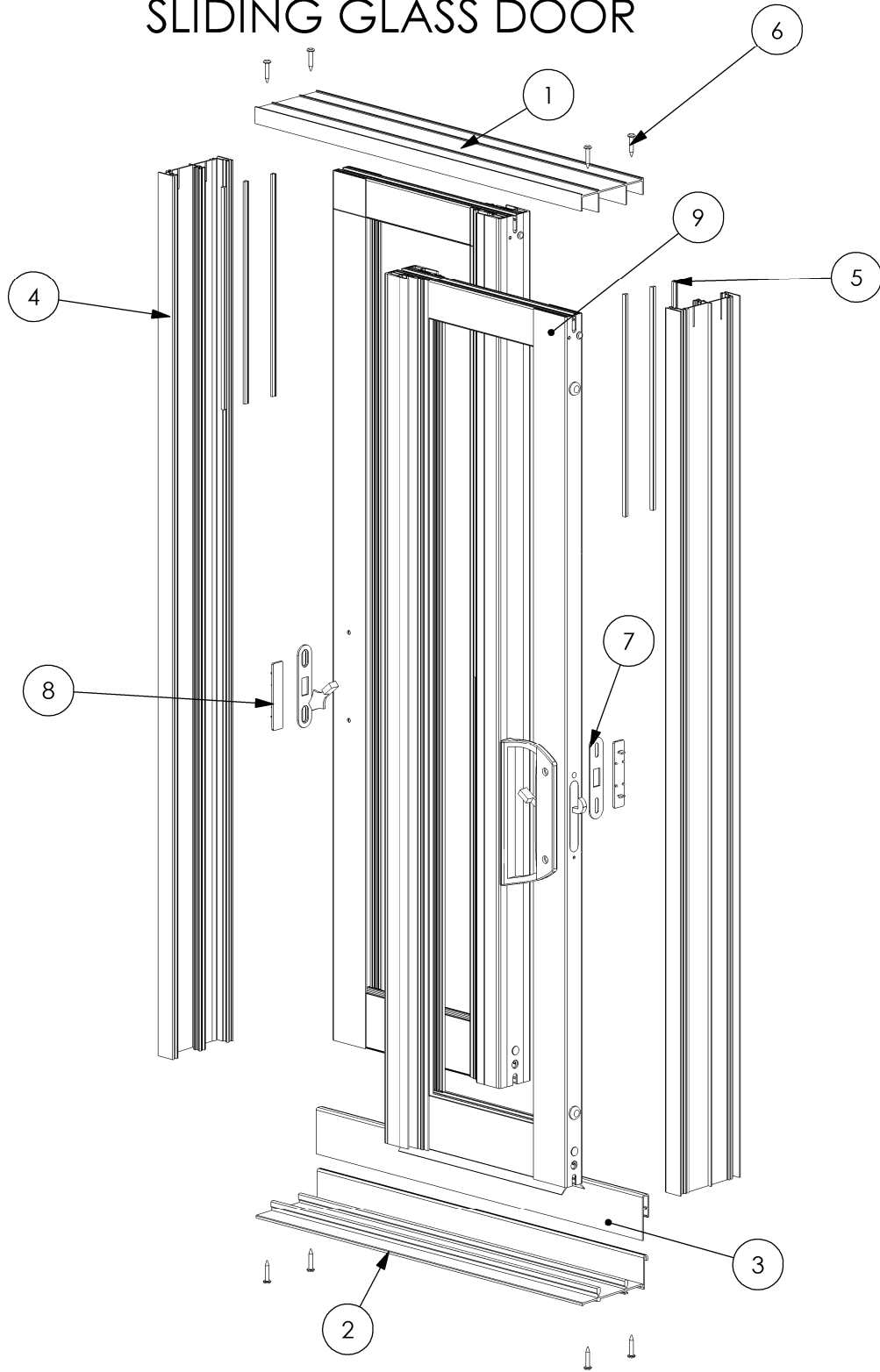
Sliding Glass Doors



All Sliding Glass Doors feature tandem rollers for smooth operation and removable screen for ease of cleaning. Screens feature metal tabs for maximum durability. Interlocking vents ensure the best possible weatherproofing, and the movable vent seals feature both rubber and center fin pile stripping. Beauty, style and durability is what you can expect from your Custom Window Systems Sliding Glass Door.



SLIDING GLASS DOOR

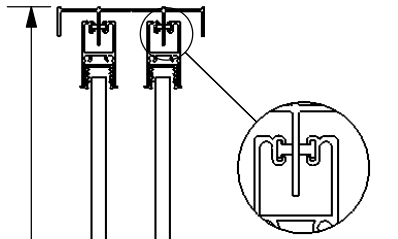


Number	Part
1	HEAD
2	SILL
3	HIGHRISE ADAPTOR
4	JAMB
5	WOOLPILE
6	ASSEMBLY SCREW

Number	Part
7	MORTISE STRIKE PLATE
8	HOLE COVER
9	COMPLETE PANEL

SLIDING GLASS DOOR

SIDE VIEW



DETAIL TOP
SCALE 1 : 2

Specifications:

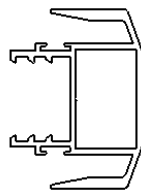
- All Frame components are 6063-T6 Aluminum
- Frame Colors: White and Bronze, (Ivory and Driftwood available in 3-track only)
- Heavy Duty sill and guide rails
- Sturdy side jambs with fin woolpile for superior performance
- 3/16" tempered glass
- Steel rollers
- Heavy Duty box screen with nylon rollers
- Standard recess pull handles
- Heavy Duty interlock with woolpile
- Test data on our website
- Doors are tested in accordance with AAMA/NWDA 101/I.S. 2 specifications

Options:

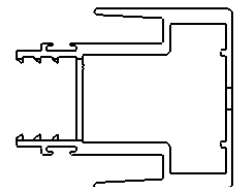
- Mortise lock system with metal handle
- Key lock
- Tandem rollers
- Stainless Steel Package
- Insulated Glass (5/8" overall)
- Colonial insulated glass (see configuration)
- Popular glass tints and obscure glass
- Florida LoE²170 and Graylite31
- Standard and custom sizes

CwikQuality™ 10-year warranty

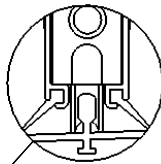
DOOR HEIGHT



9000 SERIES
INTERLOCK



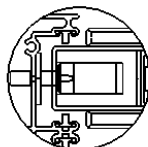
9200 SERIES
HD INTERLOCK



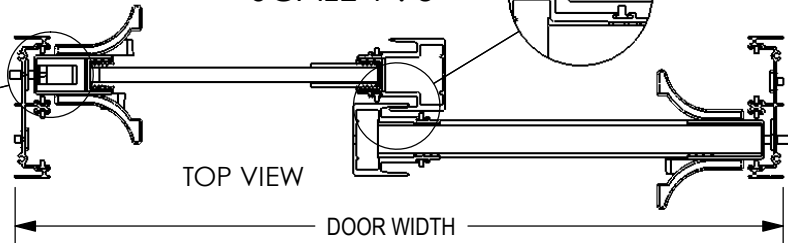
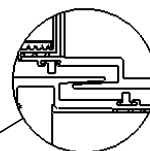
DETAIL SILL
SCALE 1 : 2

Note: Custom Window Systems, Inc reserves the right to change material design and/or construction without notice or liability.

DETAIL JAMB
SCALE 1 : 3



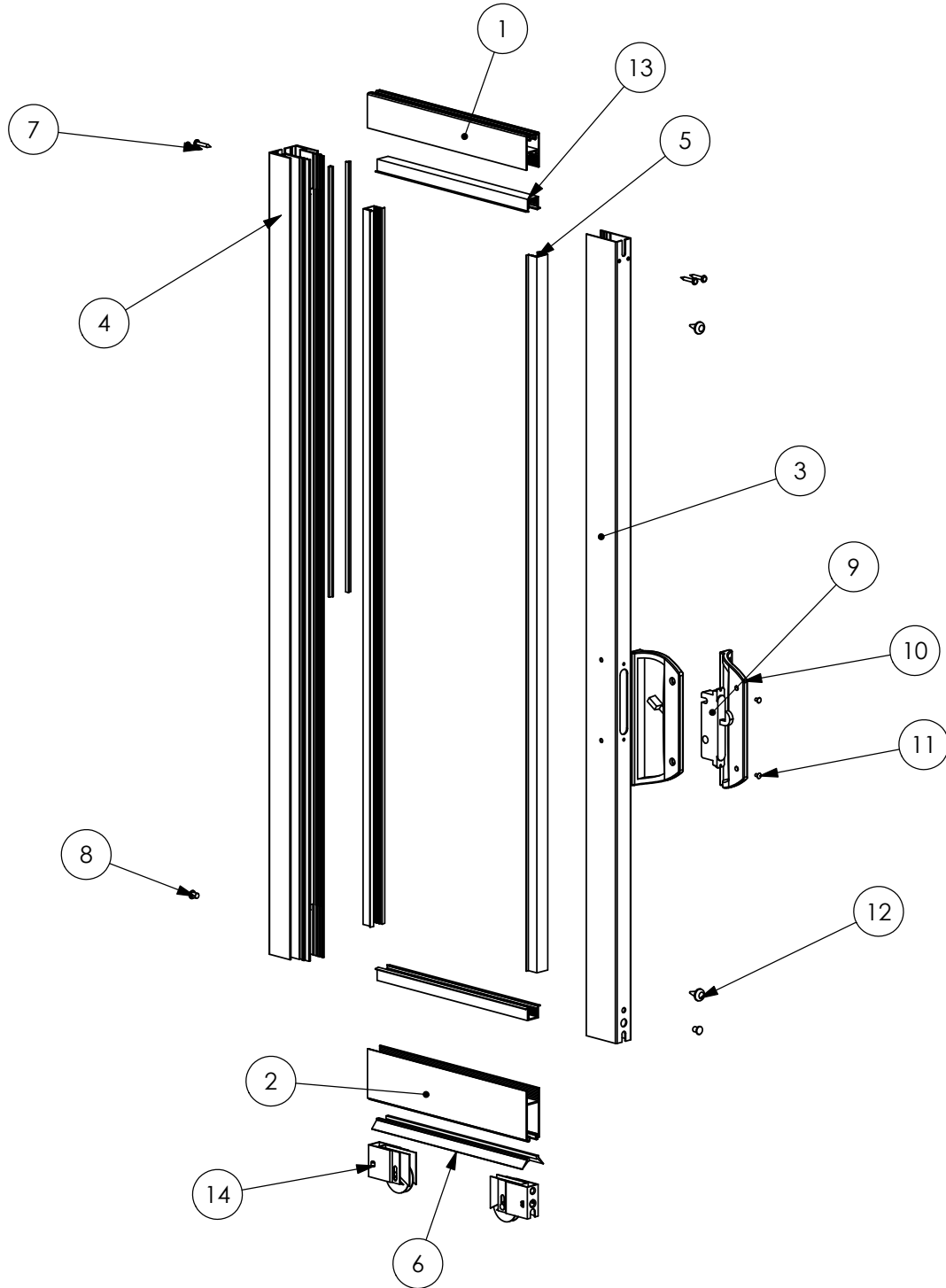
DETAIL INTERLOCK
SCALE 1 : 3



TOP VIEW

DOOR WIDTH

SLIDING GLASS DOOR PANEL



Number	Part
--------	------

- 1 TOP RAIL
- 2 BOTTOM RAIL
- 3 LOCKSTILE
- 4 HEAVY DUTY INTERLOCK
- 5 MARINE GLAZING
- 6 DIAMOND SKIRTING

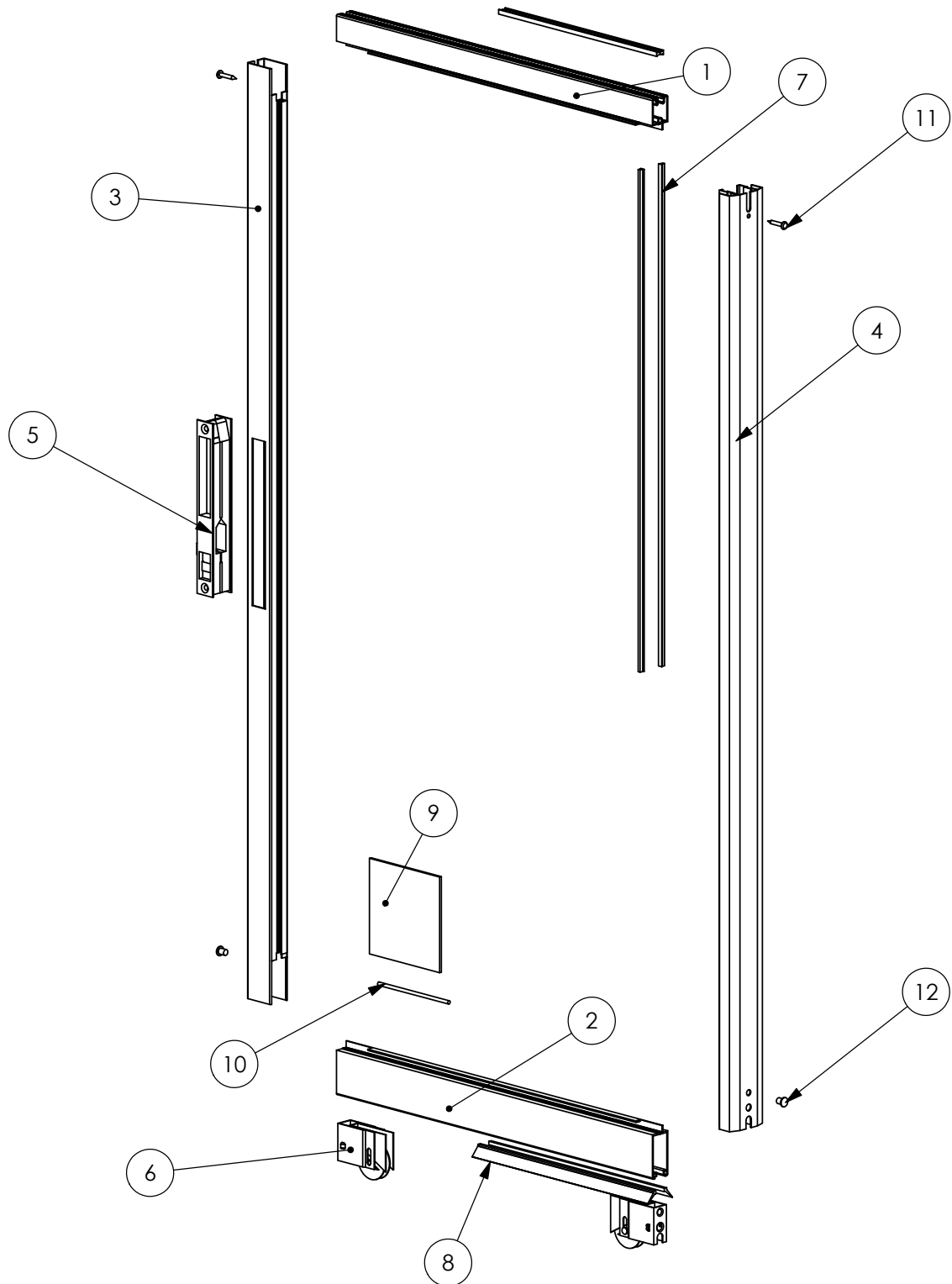
Number	Part
--------	------

- 7 TOP PANEL SCREW
- 8 BOTTOM PANEL SCREW
- 9 MORTISE LOCK
- 10 MORTISE HANDLE
- 11 MORTISE SCREW
- 12 BUMPER

Number	Part
--------	------

- 13 WOOLPILE
- 14 ROLLER

SLIDING GLASS DOOR SCREEN

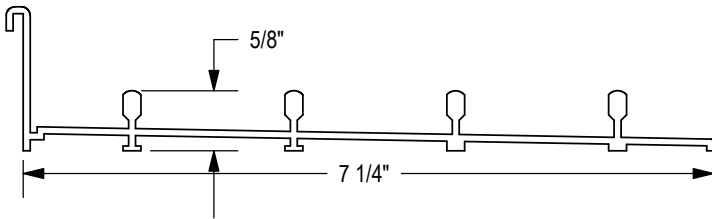
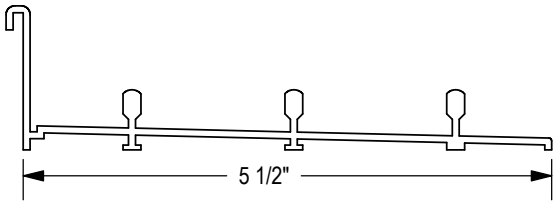
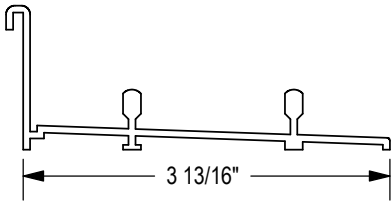


Number	Part
1	HEAD
2	SILL
3	JAMB
4	INTERLOCK
5	STANDARD LOCK

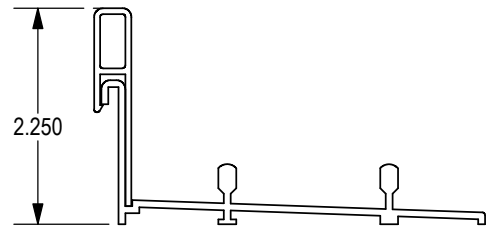
Number	Part
6	ROLLER
7	WOOLPILE
8	DIAMOND SKIRTING
9	SCREEN
10	SCREEN SPLINE

Number	Part
11	TOP SCREW
12	BOTTOM SCREW

EXTERIOR SILL



HIGHRISE ADAPTOR



INTERIOR SILL

