

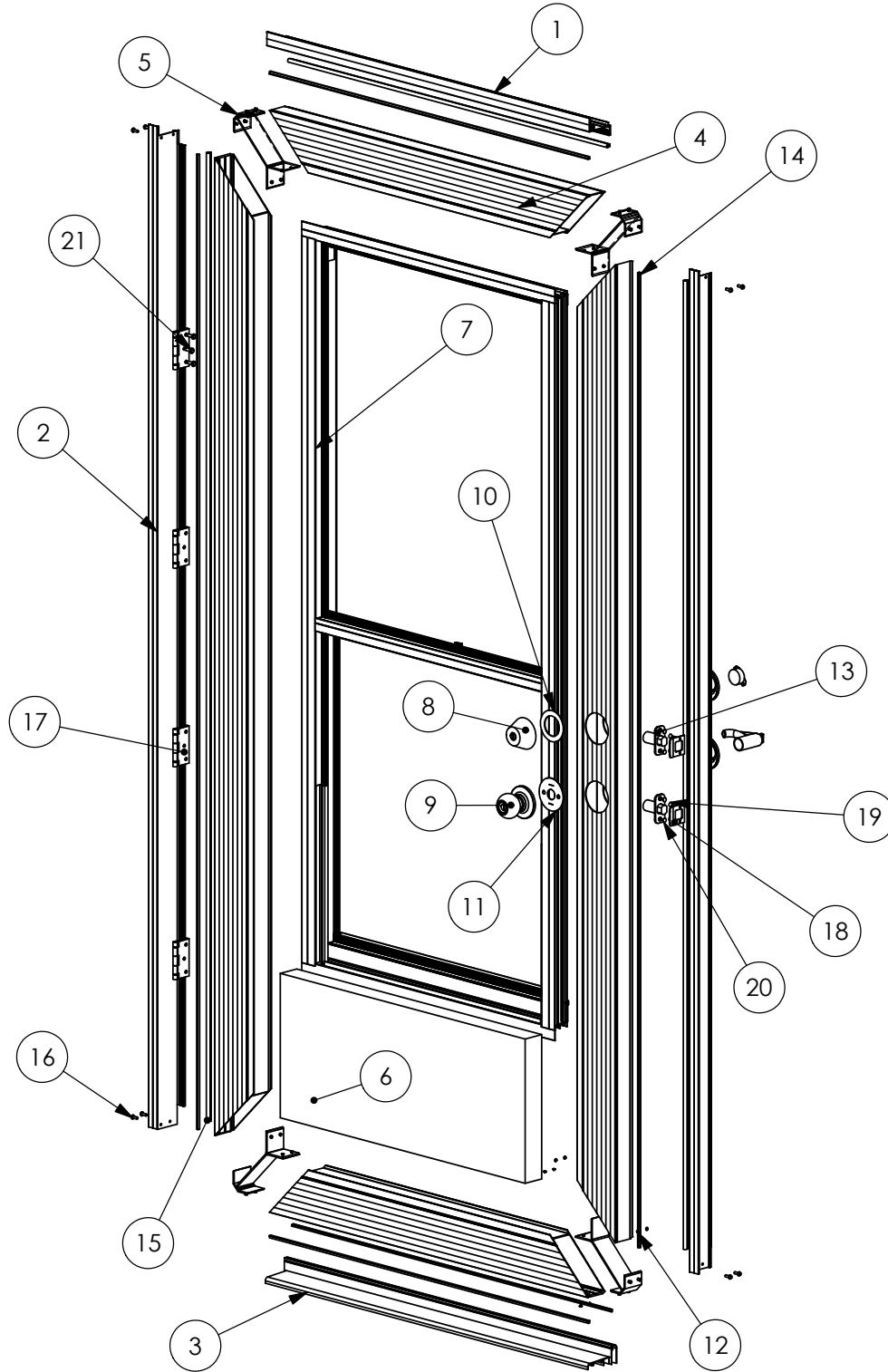
The Guardian Prime Doors



Custom Window Systems line of Prime Doors come in a wide variety of styles and are easy to install. The heavy, extruded and insulated frames are a durable 2" x 4". An extruded foam-filled T-slot seal on Z-Bar creates the best possible inner seal, and fin-seal weatherstripping surrounds the entire door. Hinging is provided by way of four stainless steel tamper-proof hinges with brass bushings attached with stainless steel rivets. An extruded heavy corner key prevents door sag. The outer frame is screwed together for added strength. Flush mounted single hung windows and mitred corners present a cleaner appearance. Optimum security is provided through the upgraded Kwikset® lockset and deadbolt. Applicable styles also offer embossed kick-panels both inside and out. Compare the quality of Custom Window Systems line of doors. We are sure you will recognize the real value.



GUARDIAN PRIME DOOR

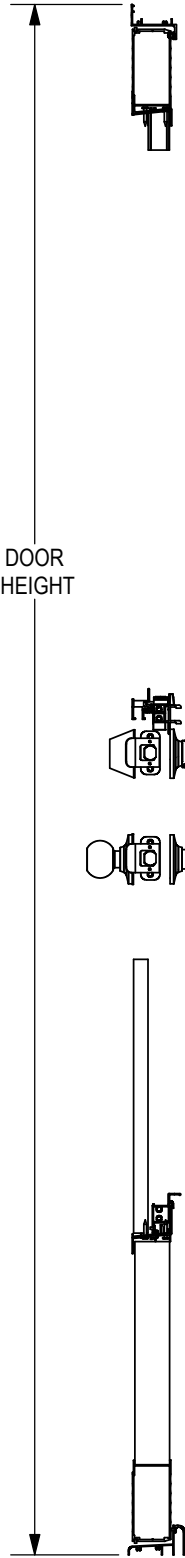


Number	Part	Number	Part	Number	Part	Number	Part
1	HEAD	7	SINGLE HUNG	13	THROW	19	STRIKE SCREW
2	JAMB	8	DEADBOLT	14	WOOLPILE	20	THROW SCREW
3	THRESHOLD	9	DOOR KNOB	15	BULB VINYL	21	HINGE RIVET
4	DOOR CORE	10	DEADBOLT GASKET	16	ASSEMBLY SCREW		
5	CORNER KEY	11	DOORKNOB GASKET	17	HINGE		
6	KICKPANEL	12	RIVET	18	STRIKE		



GUARDIAN PRIME DOOR

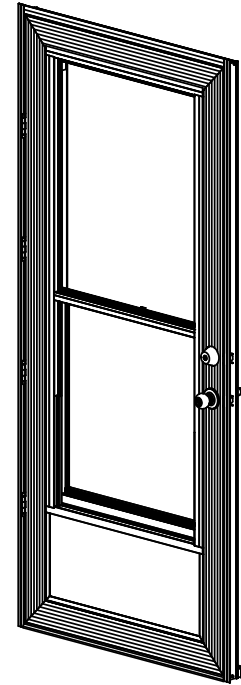
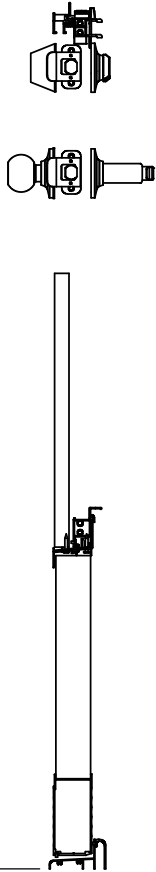
SIDE VIEW



Specifications:

- Door frame is 6063-T6 Aluminum
- 2" Thick insulated door core
- Frame Colors: White, Bronze, Driftwood, and Ivory
- 4 Stainless steel hinges
- Bulb Vinyl
- Fin woolpile
- Inswing or Outswing
- Brushed chrome lockset and deadbolt
- Woodgrain embossed kickpanel
- Several configurations available

DOOR HEIGHT



Note: Custom Window Systems, Inc reserves the right to change material design and/or construction without notice or liability.

TOP VIEW

