

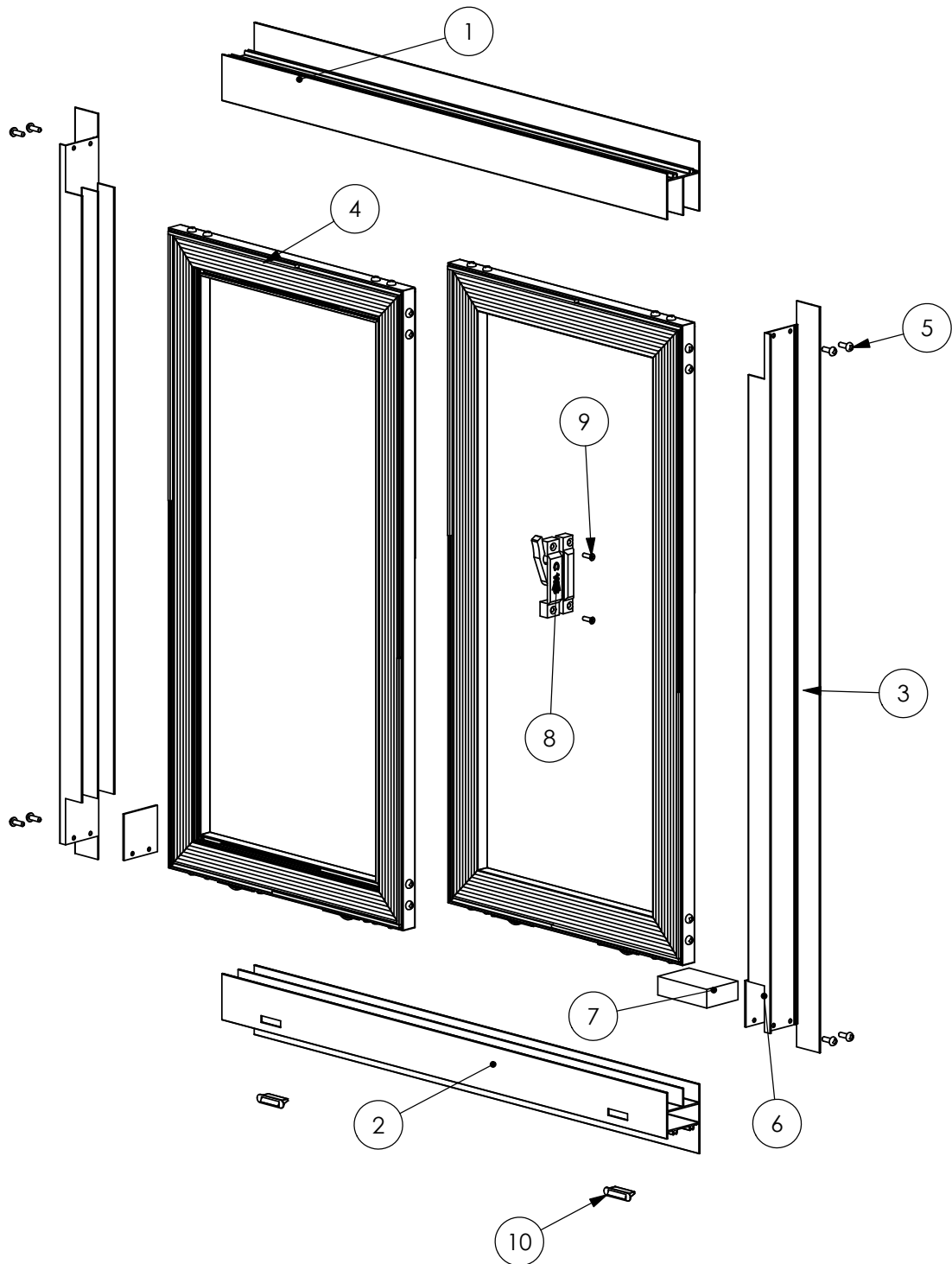
Horizontal Vinyl Film Windows



Horizontal Vinyl Film Windows are custom made to fit your existing openings. Windows feature sturdy aluminum frames. Easy one-finger slide from side to side. If you live on a golf course, among trees, or have active children or pets, you'll appreciate the durability of Custom Window Systems Vinyl Film Windows. Yet another method of enclosing your screened porch – the horizontal slider – the most simple yet versatile window available. Horizontal Vinyl Film windows, when closed and locked, offer protection from the outside elements. When open, they allow up to 50% air-flow through the screened area. Vents can also be removed allowing total screen room ventilation.



HORIZONTAL VINYL



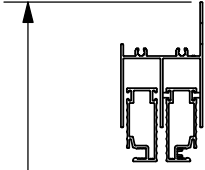
Number	Part
1	HEAD
2	SILL
3	JAMB
4	SASH ASSEMBLY
5	ASSEMBLY SCREW

Number	Part
6	GASKET
7	OPEN CELL PAD
8	CAM LOCK
9	CAM LOCK SCREW
10	WEEP HOLE COVER



2 TRACK HORIZONTAL VINYL

SIDE VIEW I.S.M.

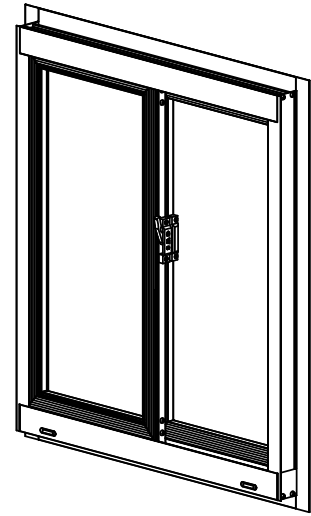


Specifications:

- Aluminum frame 6063-T6
- Frame color: White and Bronze I.S.M., White, Bronze, and Driftwood O.S.M.
- Removable panels
- Durable, weather resistant, 10-mil vinyl
- Stainless fasteners
- Golf course friendly
- Vinyl Colors: Clear, Bronze, Purple, and Smoke Gray

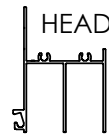
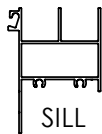
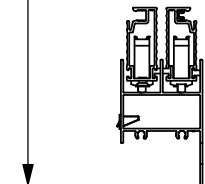
CwikQuality™ 10-year warranty

WINDOW HEIGHT

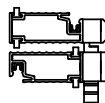
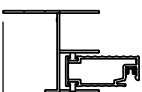


Note: Custom Window Systems, Inc reserves the right to change material design and/or construction without notice or liability.

2 TRACK HORIZONTAL VINYL O.S.M.

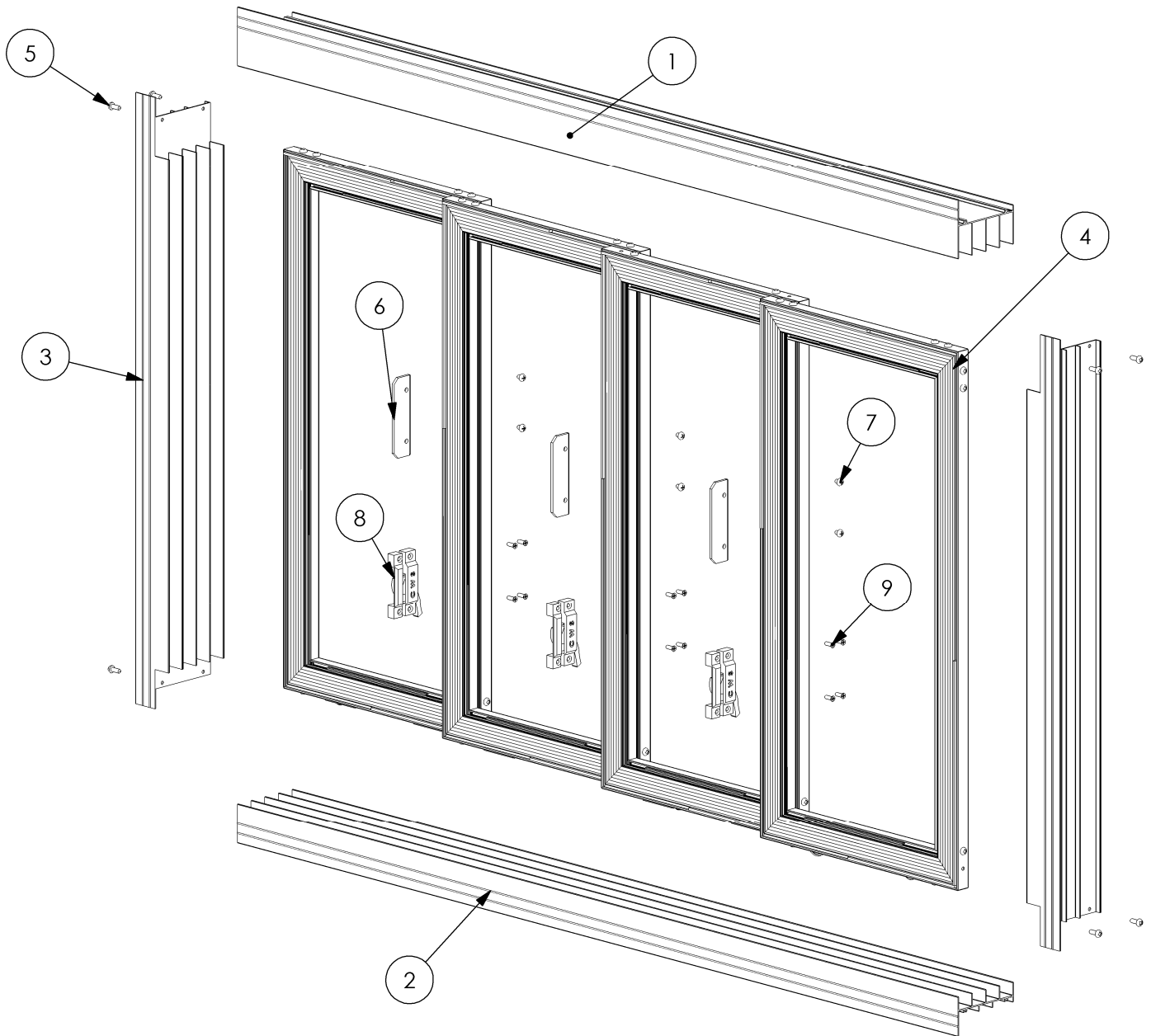


TOP VIEW I.S.M.



WINDOW WIDTH

4 TRACK HORIZONTAL VINYL



Number	Part
1	HEAD
2	SILL
3	JAMB
4	VENT ASSEMBLY
5	ASSEMBLY SCREW

Number	Part
6	COME A LONG
7	COME A LONG SCREW
8	CAM LOCK
9	CAM LOCK SCREW

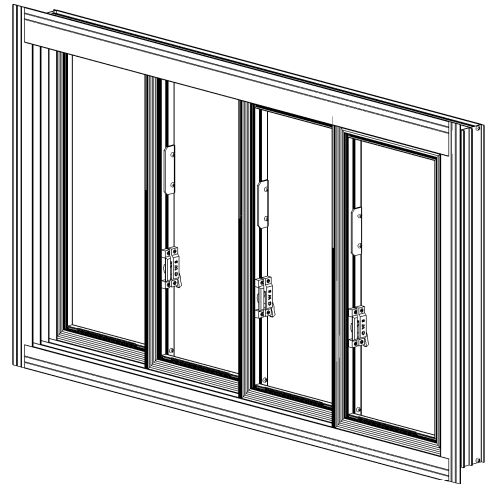


4 TRACK HORIZONTAL VINYL

Specifications:

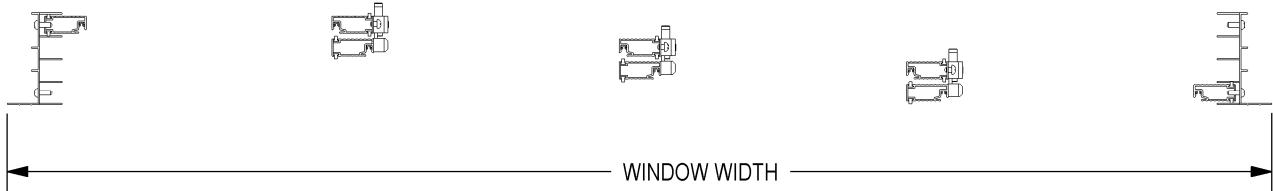
- Aluminum frame 6063-T6
- Frame color: White and Bronze
- Removable panels
- Durable, weather resistant, 10-mil vinyl
- Stainless fasteners
- Golf course friendly
- Vinyl Colors: Clear, Bronze, Purple, and Smoke Gray

CwikQuality™ 10-year warranty

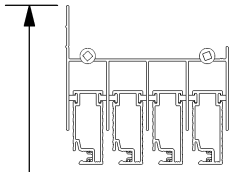


Note: Custom Window Systems, Inc reserves the right to change material design and/or construction without notice or liability.

TOP VIEW



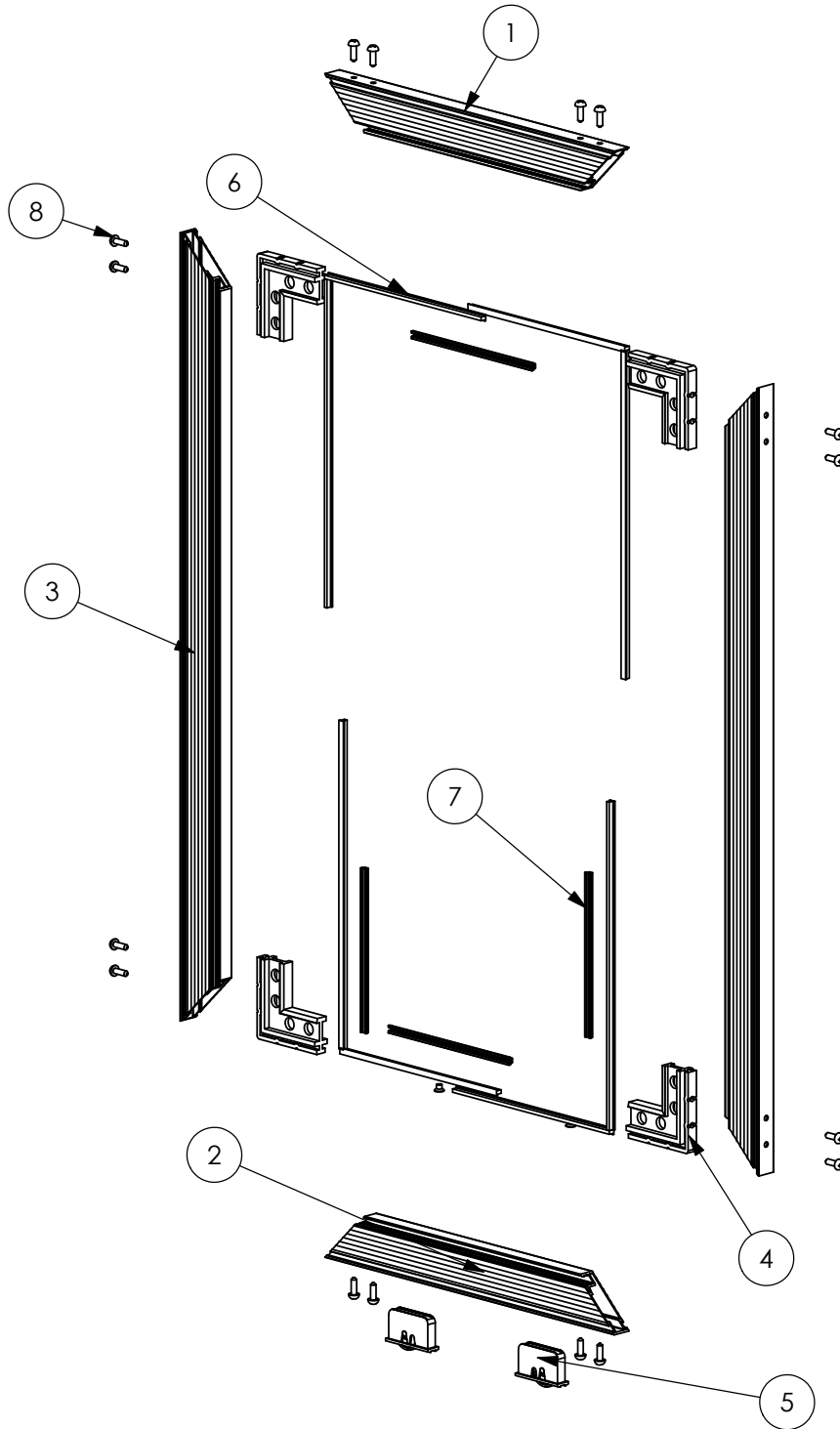
SIDE VIEW



WINDOW
HEIGHT



HORIZONTAL VINYL VENT



Number	Part
1	HEAD
2	SILL
3	JAMB
4	LARGE CORNER KEY
5	ROLLER

Number	Part
6	WOOLPILE
7	VSPLINE
8	ASSEMBLY SCREW