

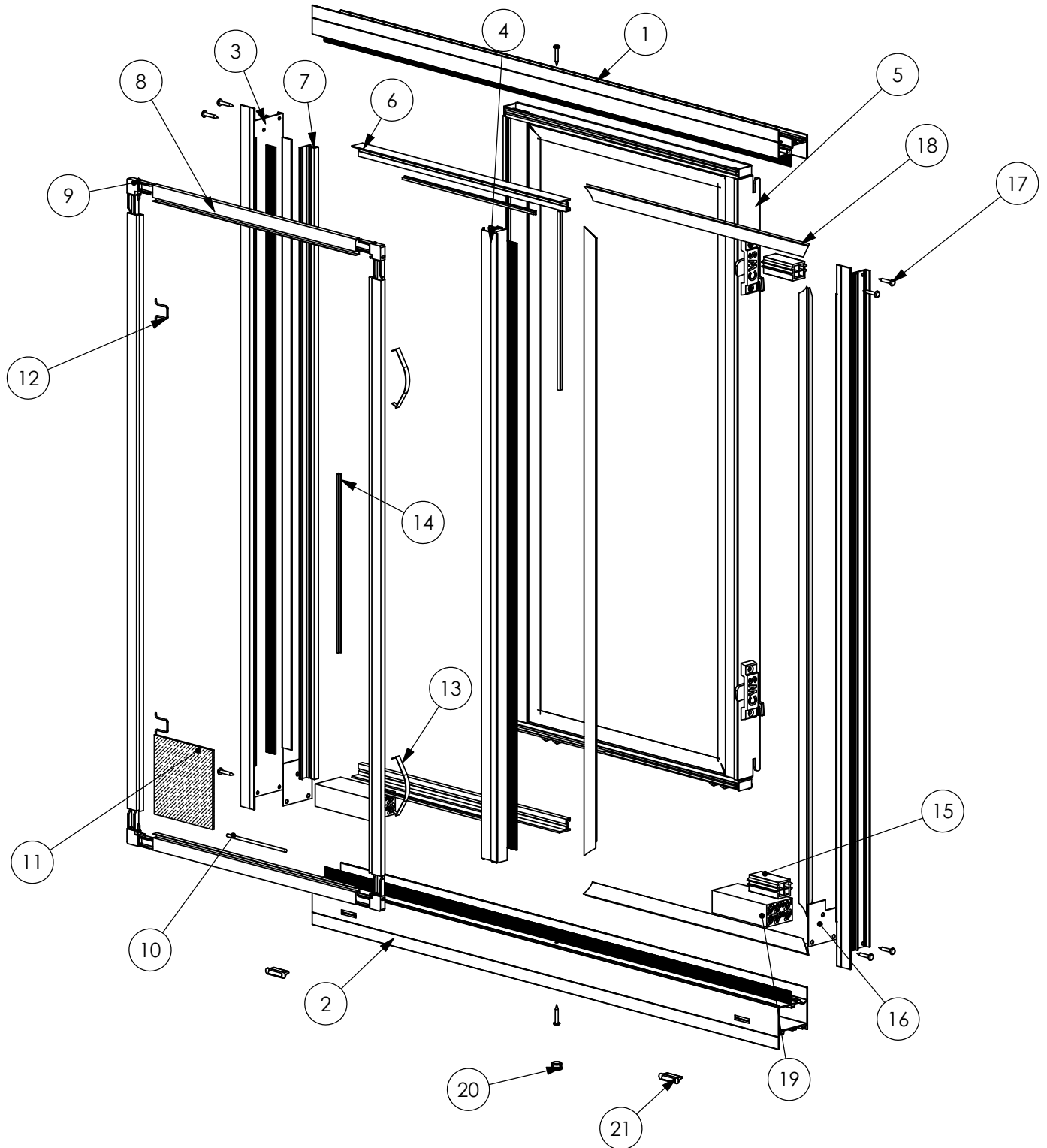
Horizontal Roller Windows



All Horizontal Roller windows feature tandem rollers for smooth operation and removable sash and screen for ease of cleaning. Screens feature metal tabs for maximum durability. Interlocking vents ensure the best possible weatherproofing, and the movable vent seals feature both rubber and center fin pile stripping. Windows more than 30 inches tall feature double locks. Insulated windows boast 5/8" thick insulated glass. Beauty, style and durability is what you can expect from your Horizontal Roller Window. Additionally, the 7000 Horizontal Roller Window has been recognized by the U.S. Department of Energy as qualifying for the coveted ENERGY STAR® rating.



HORIZONTAL ROLLER

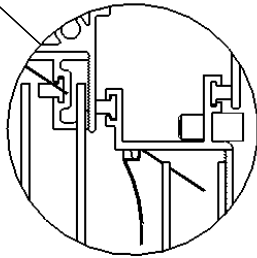
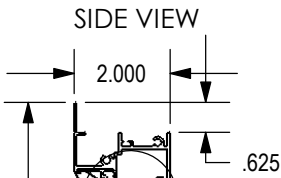


Number	Part
1	HEAD
2	SILL
3	JAMB
4	FIXED MEETING RAIL
5	SASH ASSEMBLY
6	SCREEN ADAPTOR
7	SCREEN ADAPTOR

Number	Part
8	SCREEN RAIL
9	SCREEN CORNER KEY
10	SCREEN SPLINE
11	SCREEN
12	RETRACTABLE LIFT
13	SCREEN SPRING
14	WOOLPILE

Number	Part
15	SASH STOP
16	GASKET
17	ASSEMBLY SCREW
18	GLAZE BEAD
19	OPEN CELL PAD
20	ROUND HOLE PLUG
21	WEEP HOLE COVER

HORIZONTAL ROLLER



DETAIL SASH
SCALE 1 : 1.5

Specifications:

- Window frame and sash are 6063-T6 Aluminum
- 2" Outerframe
- Frame colors: White, Bronze, Ivory, Driftwood
- Tandem rollers with nylon wheels for quiet operation
- Removable sash for easy cleaning
- Windows over 30" tall receive 2 sweep locks
- Screens feature metal tabs for maximum durability
- Interlocking frame and sash for maximum weatherproofing
- Windows feature foam filled Vinyl and Fin Woolpile
- Exterior glazing on all windows
- Double Strength Glass
- Commercially Rated
- Windows are tested in accordance with AAMA/NWDA 101/IS 2 specifications
- Test data available on our website
- We proudly offer products that have earned the ENERGY STAR[®]

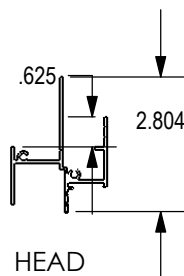


Options:

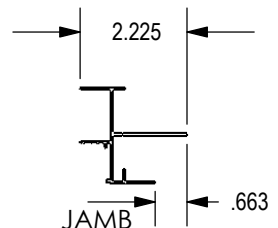
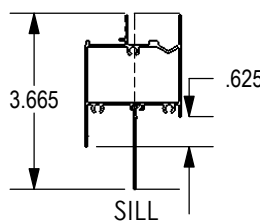
- Insulated Glass (5/8" overall) (3/8" air space)
- Colonial Insulated Glass (see configuration)
- Tempered Glass
- Popular glass tints and obscure glass
- Florida LoE² 170 and Graylite 31
- Slip on nailing fin
- Integral Fin
- Sizes: Modular, Tip to Tip, and Custom

CwikQuality™ 10-year warranty

WINDOW HEIGHT

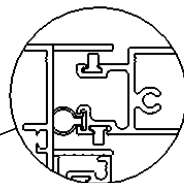


HORIZONTAL FIN DETAIL

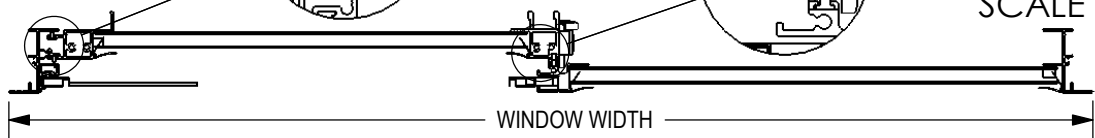


Note: Custom Window Systems, Inc reserves the right to change material design and/or construction without notice or liability.

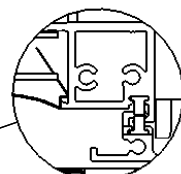
DETAIL SILL
SCALE 1 : 2



TOP VIEW



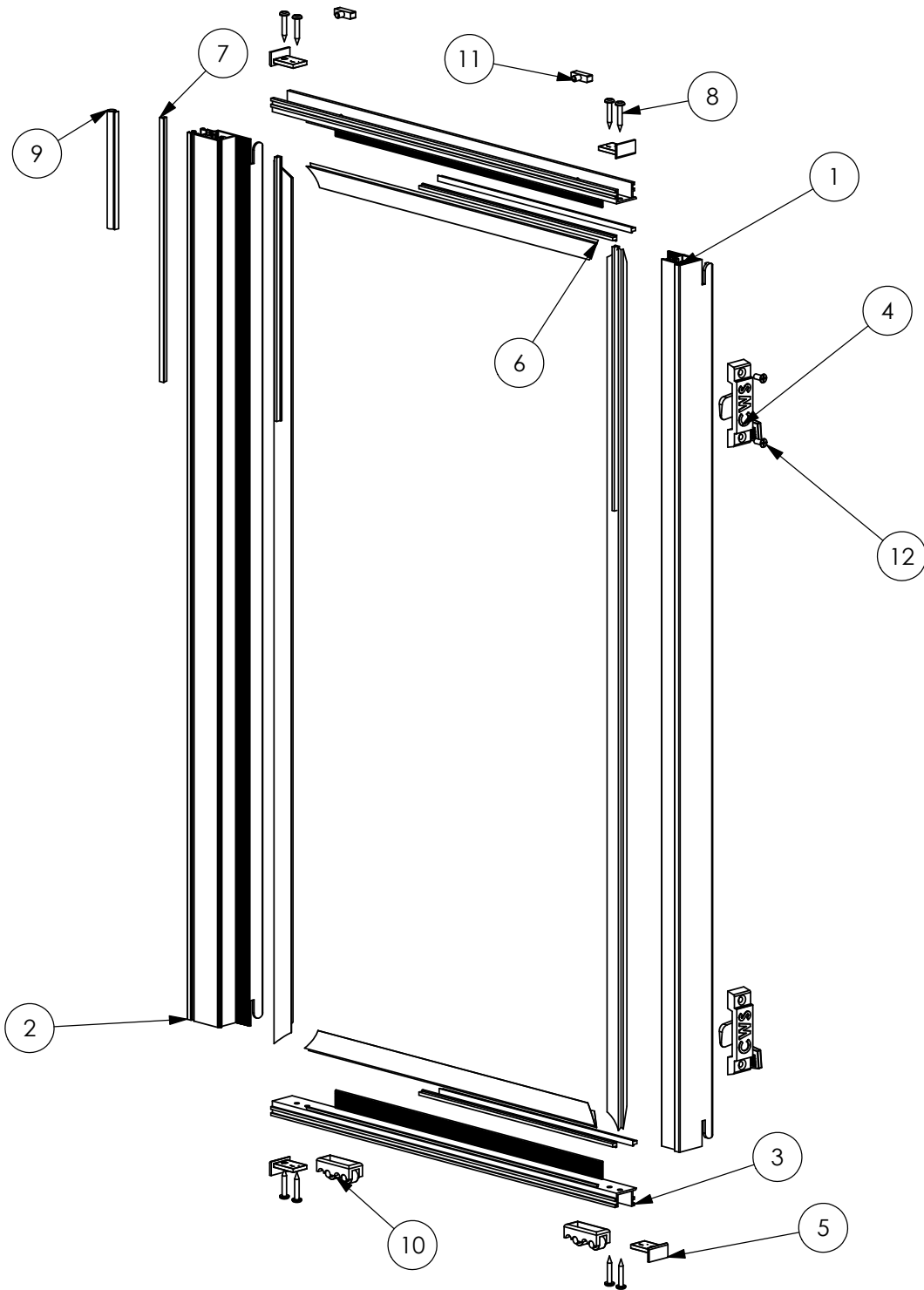
DETAIL FIXED RAIL
SCALE 1 : 2



WINDOW WIDTH



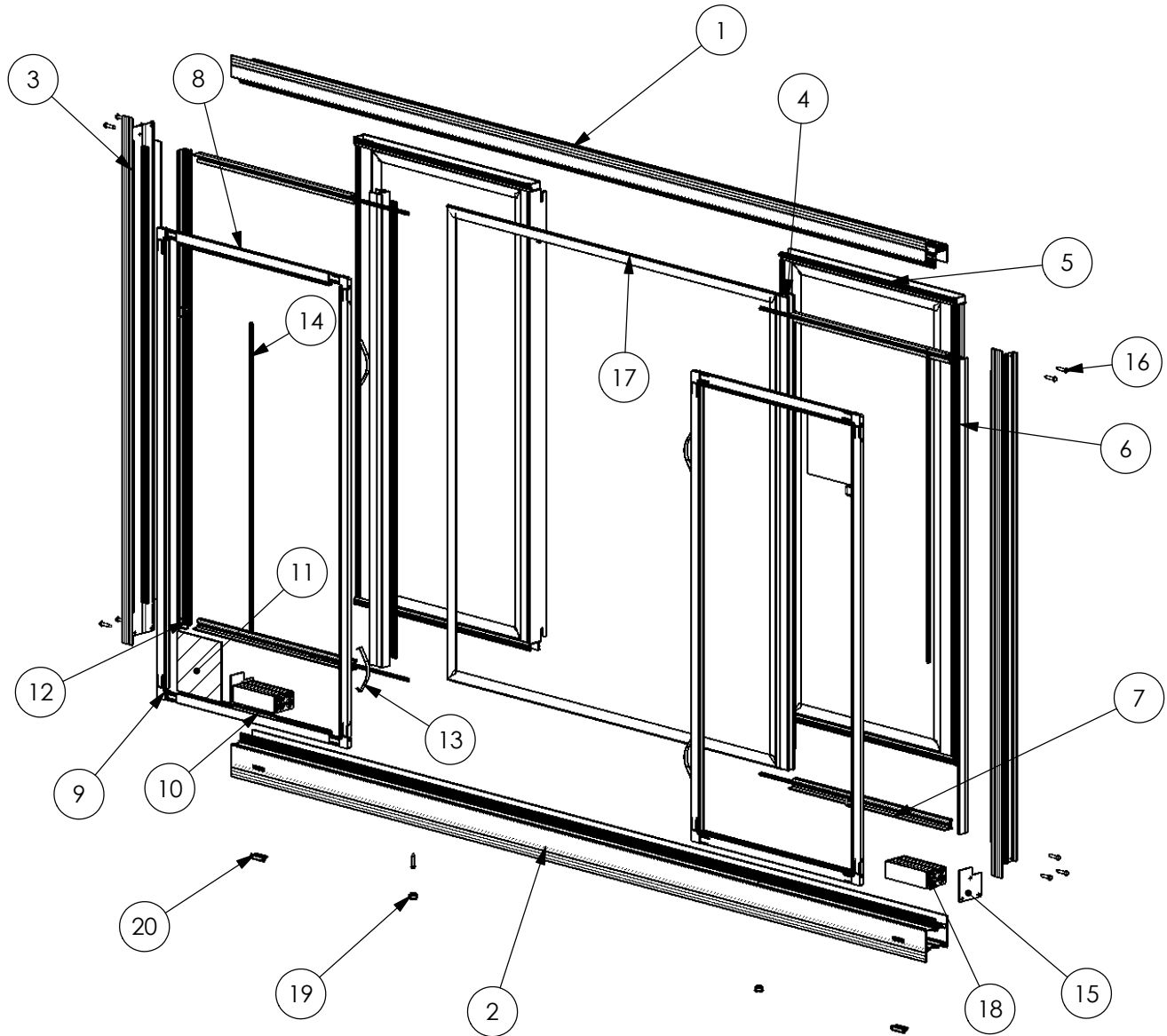
HORIZONTAL ROLLER SASH



Number	Part
1	MEETING RAIL
2	PULL RAIL
3	SASH RAIL
4	SWEEP LOCK
5	SASH END CAP
6	GLAZE BEAD

Number	Part
7	WOOLPILE
8	ASSEMBLY SCREW
9	BULB VINYL
10	TANDEM ROLLER
11	RECTANGULAR STOP
12	SWEEP LOCK SCREW

HORIZONTAL SLIDE PICTURE SLIDE



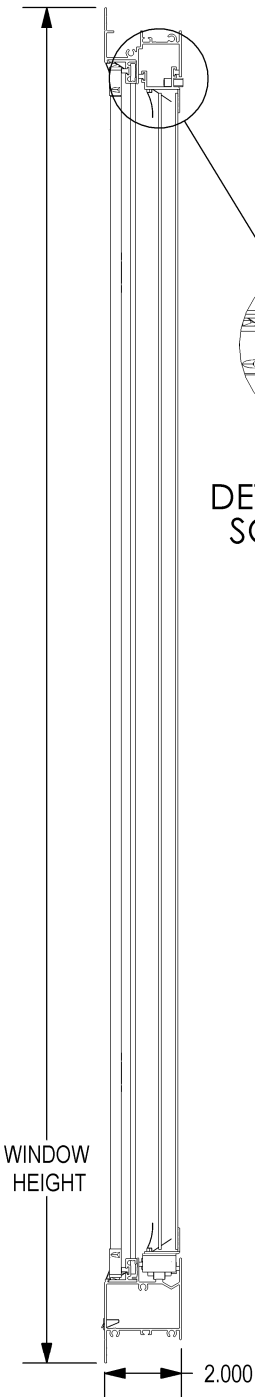
Number	Part
1	HEAD
2	SILL
3	JAMB
4	FIXED MEETING RAIL
5	SASH ASSEMBLY
6	SCREEN ADAPTOR
7	SCREEN ADAPTOR

Number	Part
8	SCREEN RAIL
9	SCREEN CORNER KEY
10	SCREEN SPLINE
11	SCREEN
12	RETRACTABLE LIFT
13	SCREEN SPRING
14	WOOLPILE

Number	Part
15	GASKET
16	ASSEMBLY SCREW
17	GLAZE BEAD
18	OPEN CELL PAD
19	ROUND HOLE PLUG
20	WEEP COVER


HORIZONTAL SLIDE PICTURE SLIDE

SIDE VIEW



DETAIL HEAD
SCALE 1 : 3

Specifications:

- Window frame and sash are 6063-T6 Aluminum
- 2" Outerframe
- Frame colors: White, Bronze, Ivory, Driftwood
- Tandem rollers with nylon wheels for quiet operation
- Removable sash for easy cleaning
- Windows over 30" tall receive 2 sweep locks
- Screens feature metal tabs for maximum durability
- Interlocking frame and sash for maximum weatherproofing
- Windows feature foam filled Vinyl and Fin Woolpile
- Exterior glazing on all windows
- Double Strength Glass
- Commercially Rated
- Windows are tested in accordance with AAMA/NWDA 101/IS 2 specifications
- Test data available on our website
- We Proudly offer products that have earned the ENERGY STAR 

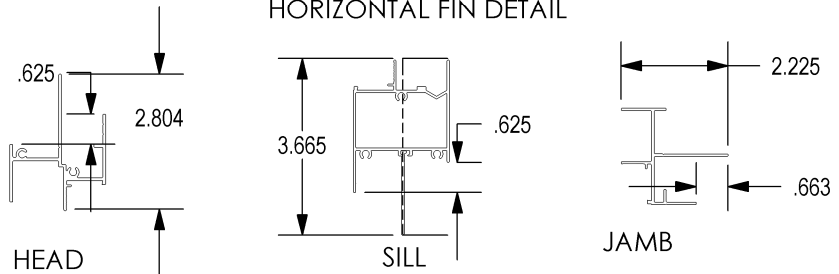
Options:

- Insulated Glass (5/8" overall) (3/8" air space)
- Colonial Insulated Glass (see configuration)
- Tempered Glass
- Popular glass tints and obscure glass
- Florida LoE² 170 and Graylite 31
- Slip on nailing fin
- Integral Fin
- Sizes: Modular, Tip to Tip, and Custom

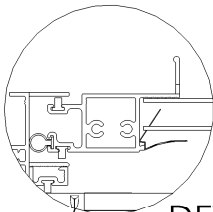


CwikQuality™ 10-year warranty

HORIZONTAL FIN DETAIL

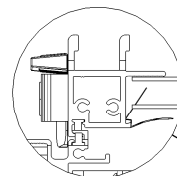


Note: Custom Window Systems, Inc reserves the right to change material design and/or construction without notice or liability.



DETAIL SILL
SCALE 1 : 3

TOP VIEW

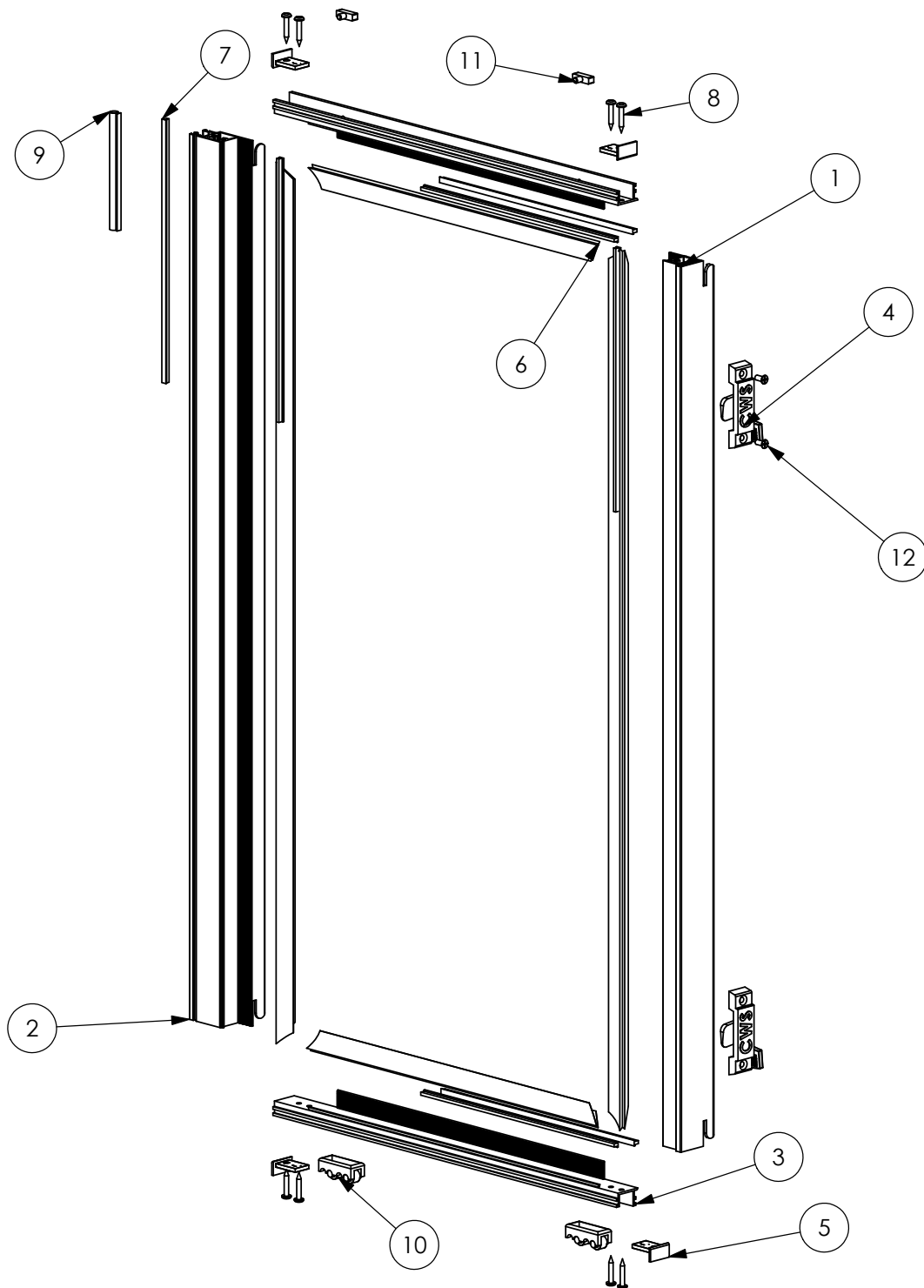


DETAIL FIXED RAIL
SCALE 1 : 3





SLIDE PICTURE SLIDE ROLLER SASH

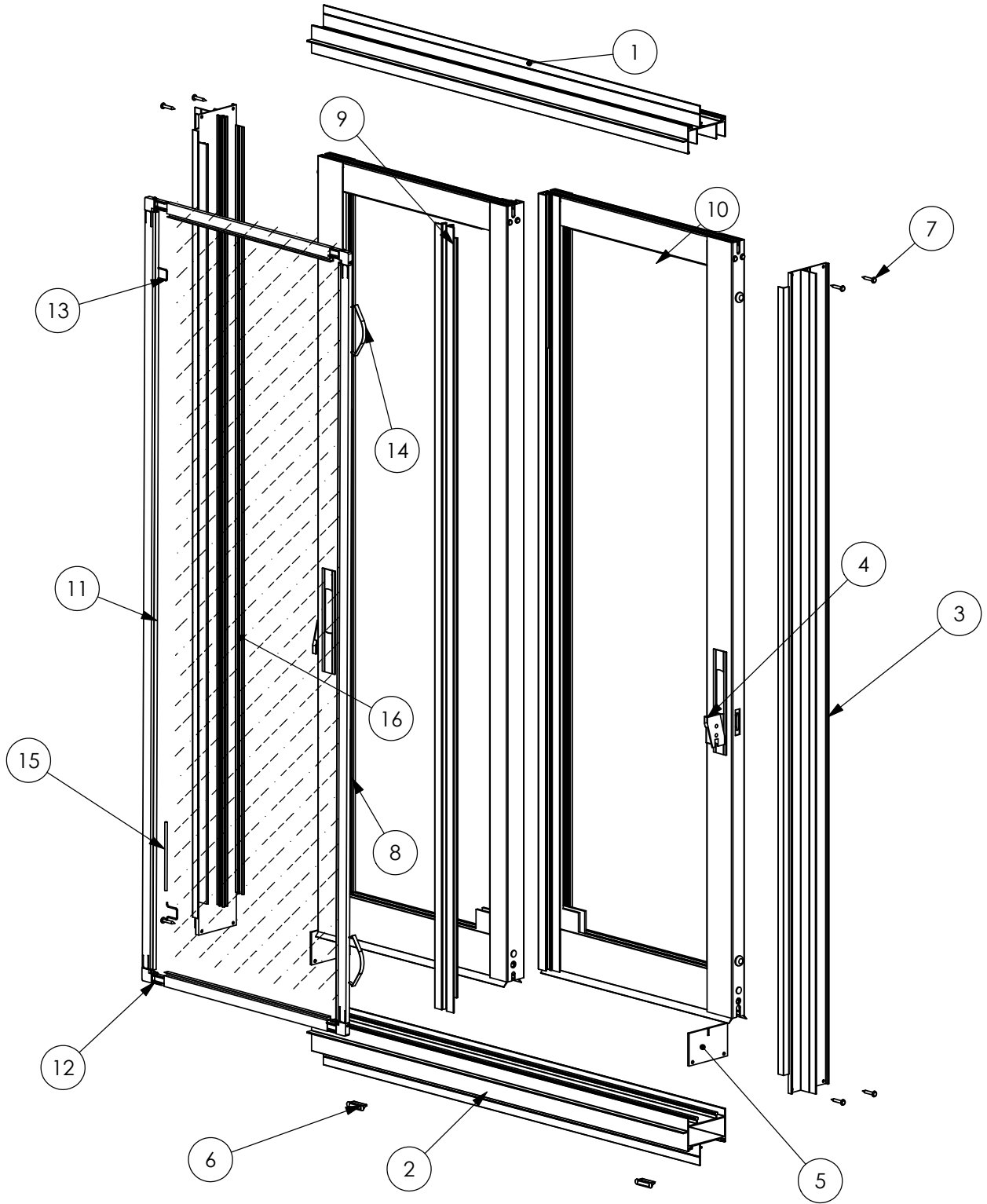


Number	Part
1	MEETING RAIL
2	PULL RAIL
3	SASH RAIL
4	SWEEP LOCK
5	SASH END CAP
6	GLAZE BEAD

Number	Part
7	WOOLPILE
8	ASSEMBLY SCREW
9	BULB VINYL
10	TANDEM ROLLER
11	RECTANGULAR STOP
12	SWEEP LOCK SCREW



XX GLASS O.S.M. FRAME



Number	Part
1	HEAD
2	SILL
3	JAMB
4	KEEPER
5	GASKET
6	WEEP COVER

Number	Part
7	ASSEMBLY SCREW
8	WOOLPILE
9	SCREEN CENTERBAR
10	SASH ASSEMBLY
11	SCREEN RAIL
12	SCREEN CORNER KEY

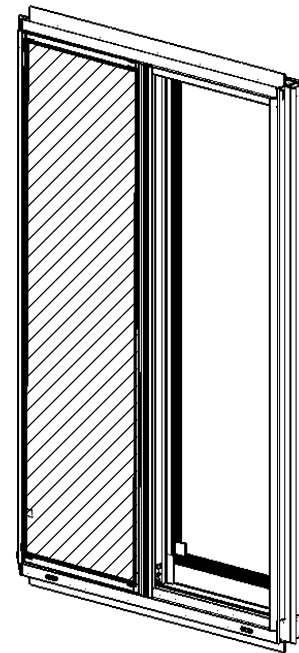
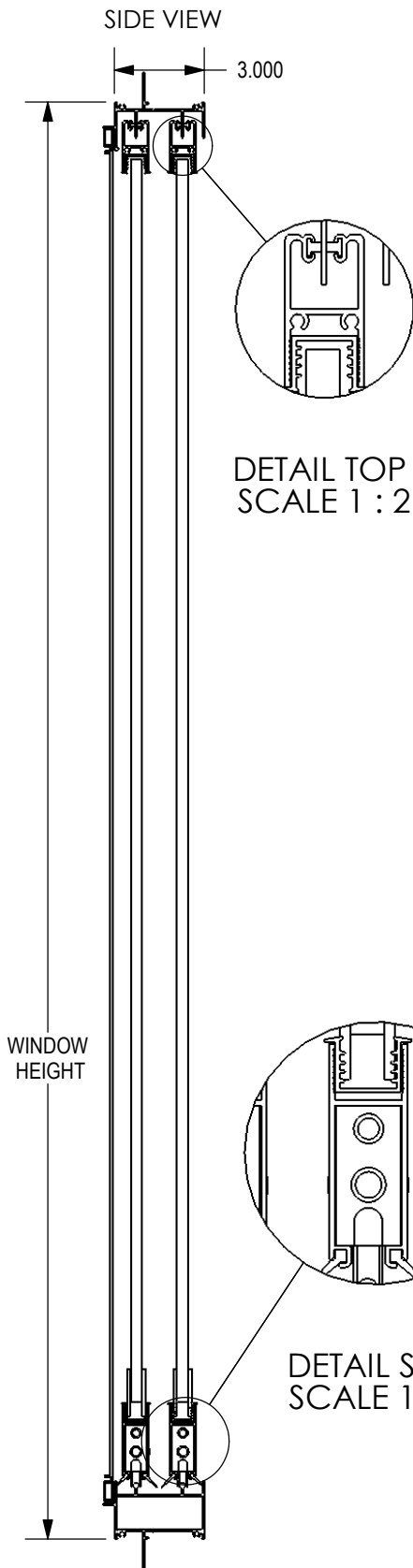
Number	Part
13	RETRACTABLE LIFT
14	SCREEN SPRING
15	SCREEN SPLINE
16	SCREEN

XX GLASS O.S.M

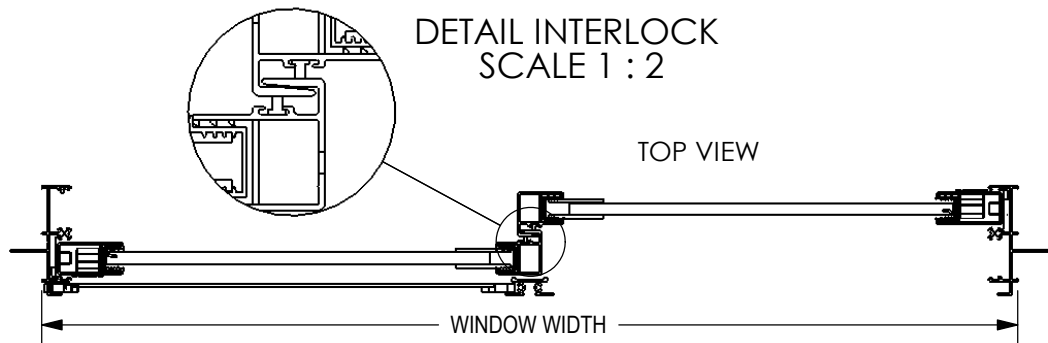
Specifications:

- Window frame is 6063-T6 Aluminum
- 3" Integral fin Outerframe
- Frame Colors: White and Bronze
- 1 1/2" dia. nylon roller for quiet operation
- Removable sash
- Fin woolpile
- Specially designed locking system
- Removable screens

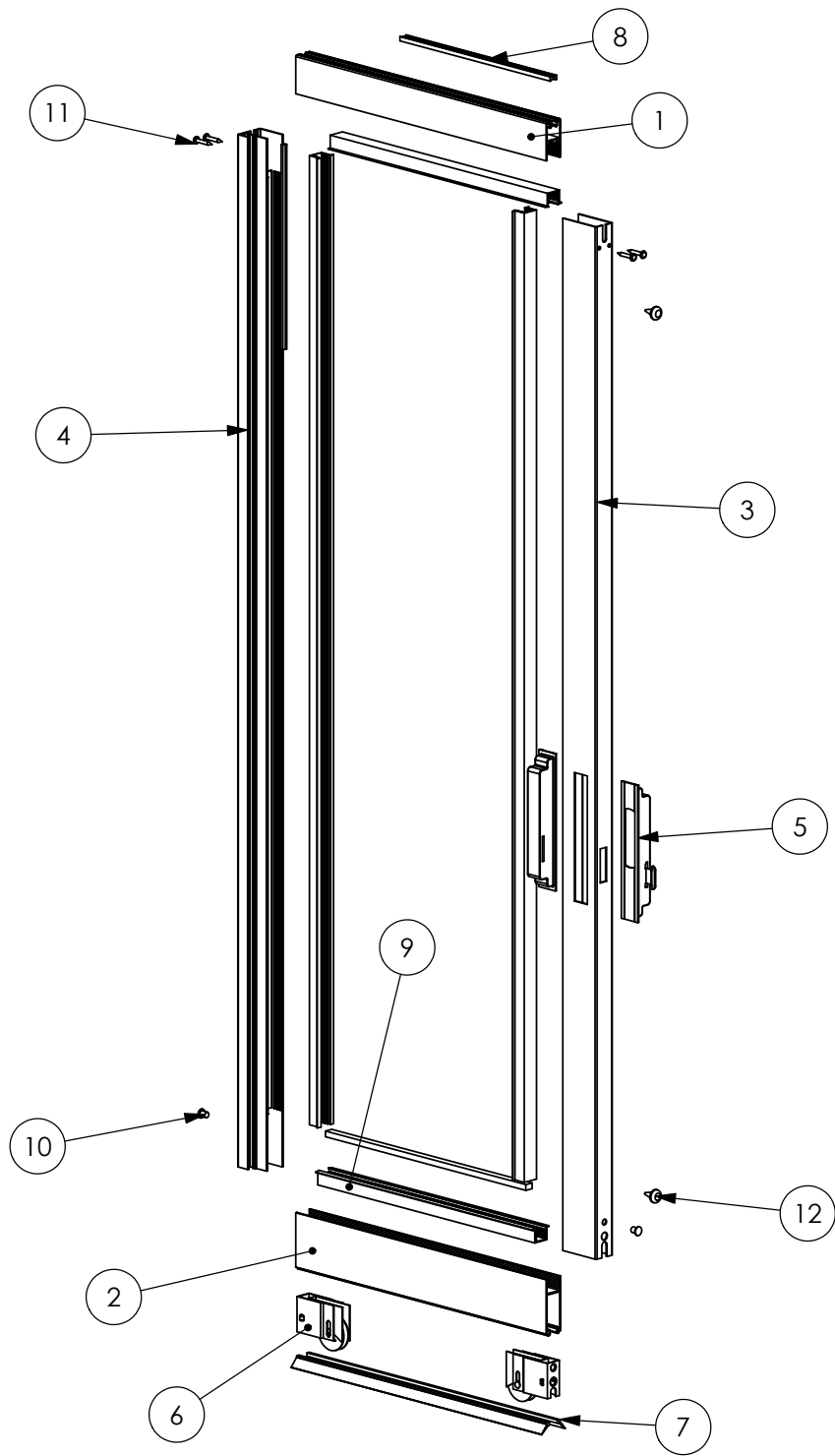
CwikQuality™ 10-year warranty



Note: Custom Window Systems, Inc reserves the right to change material design and/or construction without notice or liability.



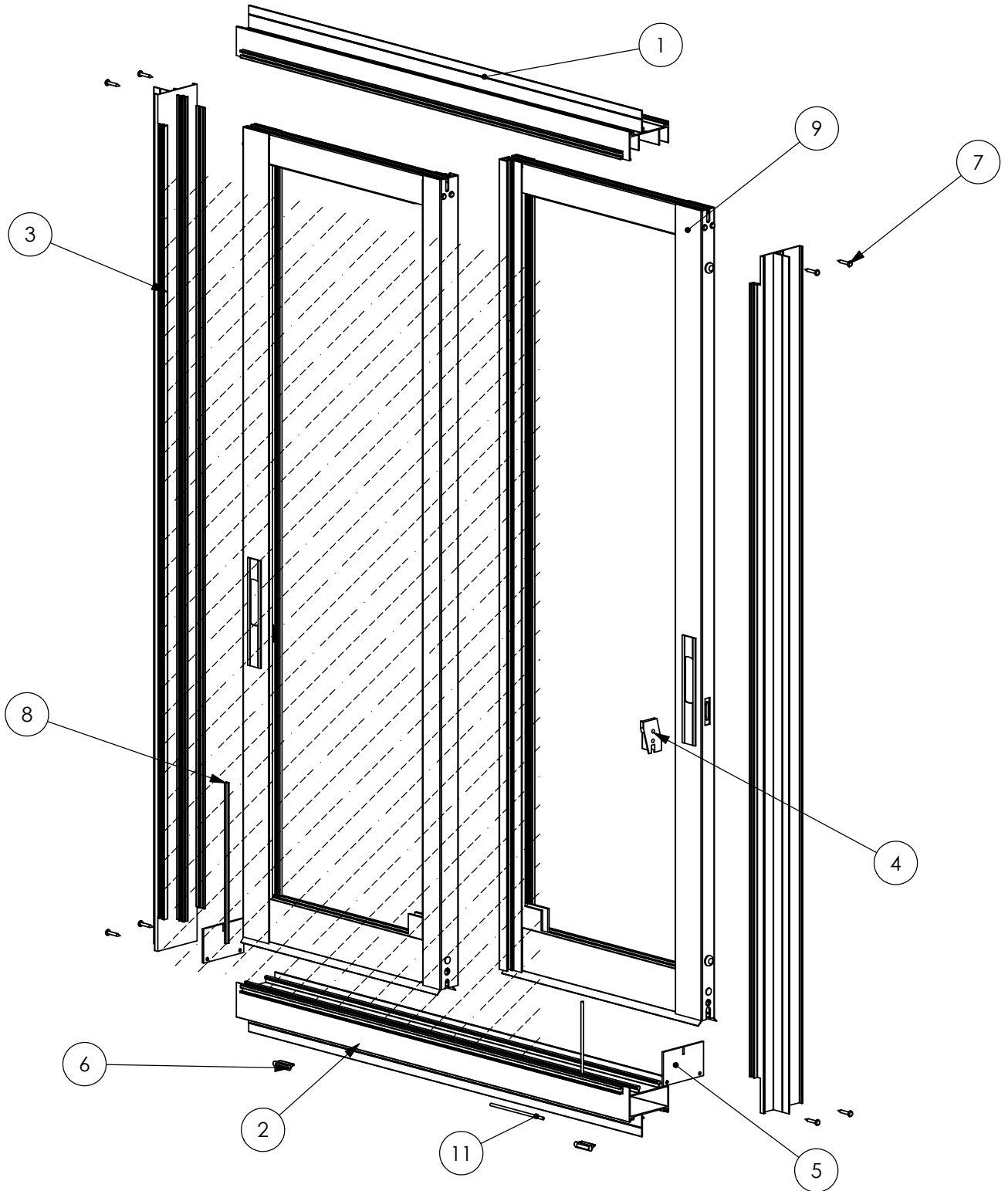
XX GLASS PANEL



Number	Part
1	TOP RAIL
2	BOTTOM RAIL
3	LOCKSTILE
4	INTERLOCK
5	LOCK
6	ROLLER

Number	Part
7	DIAMOND SKIRTING
8	WOOLPILE
9	MARINE GLAZE
10	BOTTOM SCREW
11	TOP SCREW
12	BUMPER

XX GLASS SPLINE GROOVE

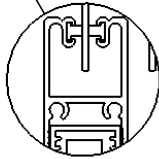
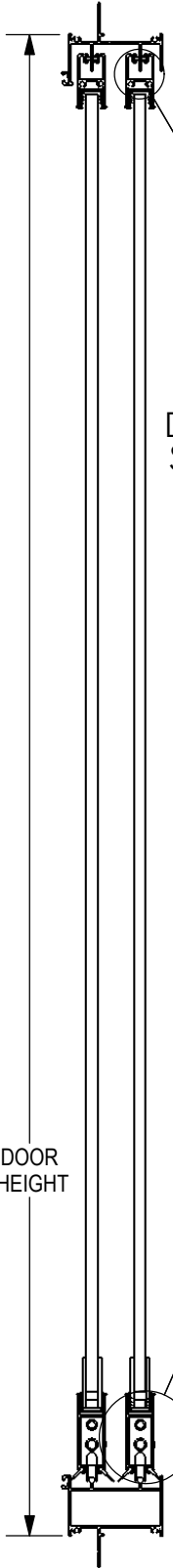


Number	Part
1	HEAD
2	SILL
3	JAMB
4	KEEPER
5	GASKET
6	WEEPCOVER

Number	Part
7	ASSEMBLY SCREW
8	WOOLPILE
9	SASH ASSEMBLY
10	SCREEN
11	SCREEN SPLINE

XX GLASS SPLINE GROOVE

SIDE VIEW

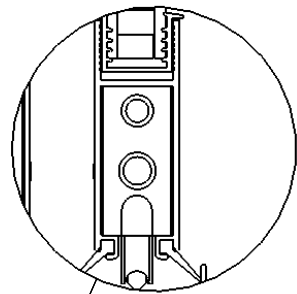
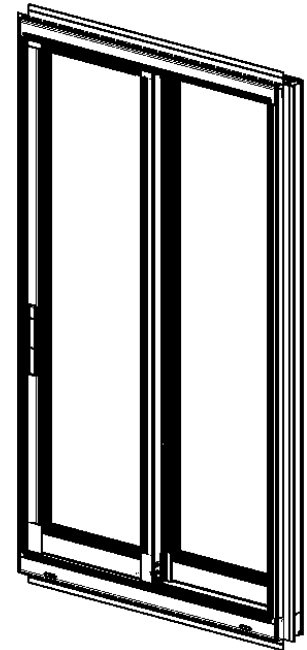


DETAIL TOP
SCALE 1 : 2

Specifications:

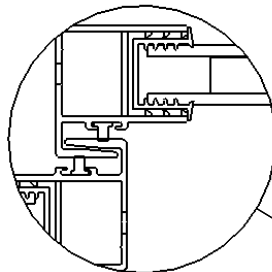
- Window frame is 6063-T6 Aluminum
- 3" Integral fin Outerframe
- Frame Colors: White and Bronze
- 1 1/2" dia. nylon roller for quiet operation
- Removable sash
- Fin woolpile
- Specially designed locking system
- Removable screens

CwikQuality™ 10-year warranty



DETAIL SILL
SCALE 1 : 2

Note: Custom Window Systems, Inc reserves the right to change material design and/or construction without notice or liability.



DETAIL INTERLOCK
SCALE 1 : 2

TOP VIEW

