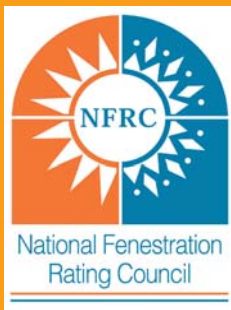


Garage Screen Enclosures

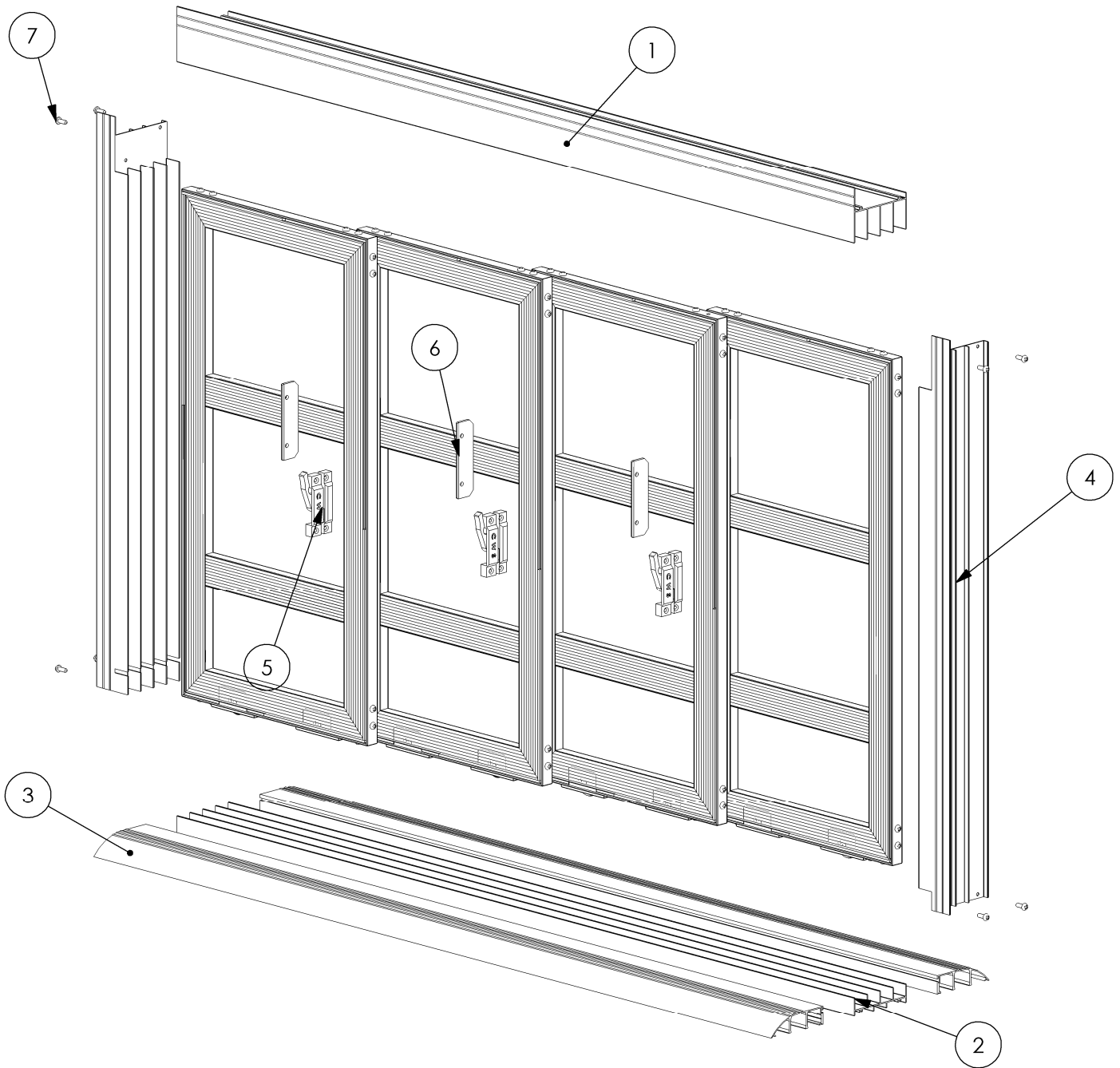


The Garage Screen Enclosure is built to give you many years of pleasure. It features removable sliding vents, integrated wood grain kickplate and durable fiberglass screens. Metal locks are standard, and stainless steel screws provide long-lasting durability where needed. Our heavy-duty threshold assures many years of trouble-free service, and our 1" roller adds ease of operation and dependability. The ultimate in garage enclosures!





GARAGE DOOR



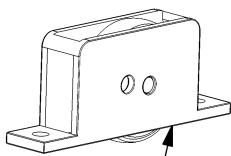
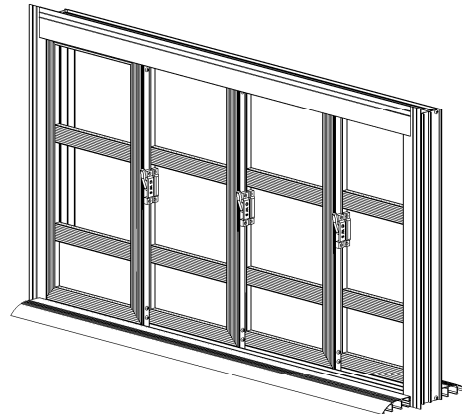
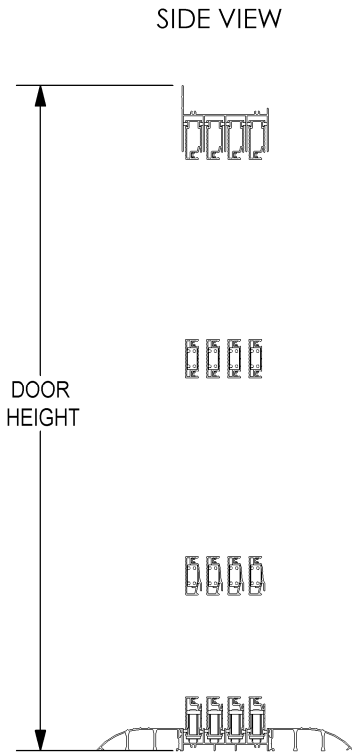
Number	Part
1	HEAD
2	SILL
3	THRESHOLD
4	JAMB
5	CAM LOCK
6	COME A LONG
7	ASSEMBLY SCREW

GARAGE DOOR

Specifications:

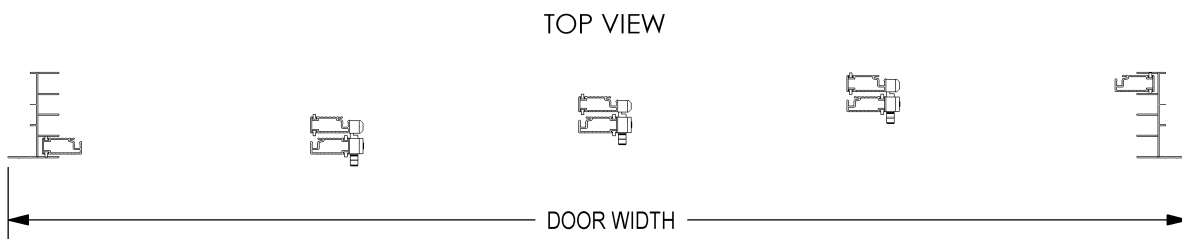
- Window frame is 6063-T6 Aluminum
- 8, 12, and 16 inch kickpanel
- Frame Colors: White, Bronze, and Ivory
- Deluxe roller for smooth operation
- Removable sash
- Fin woolpile
- Specially designed locking system
- Phifer sunscreen products

CwikQuality™ 10-year warranty



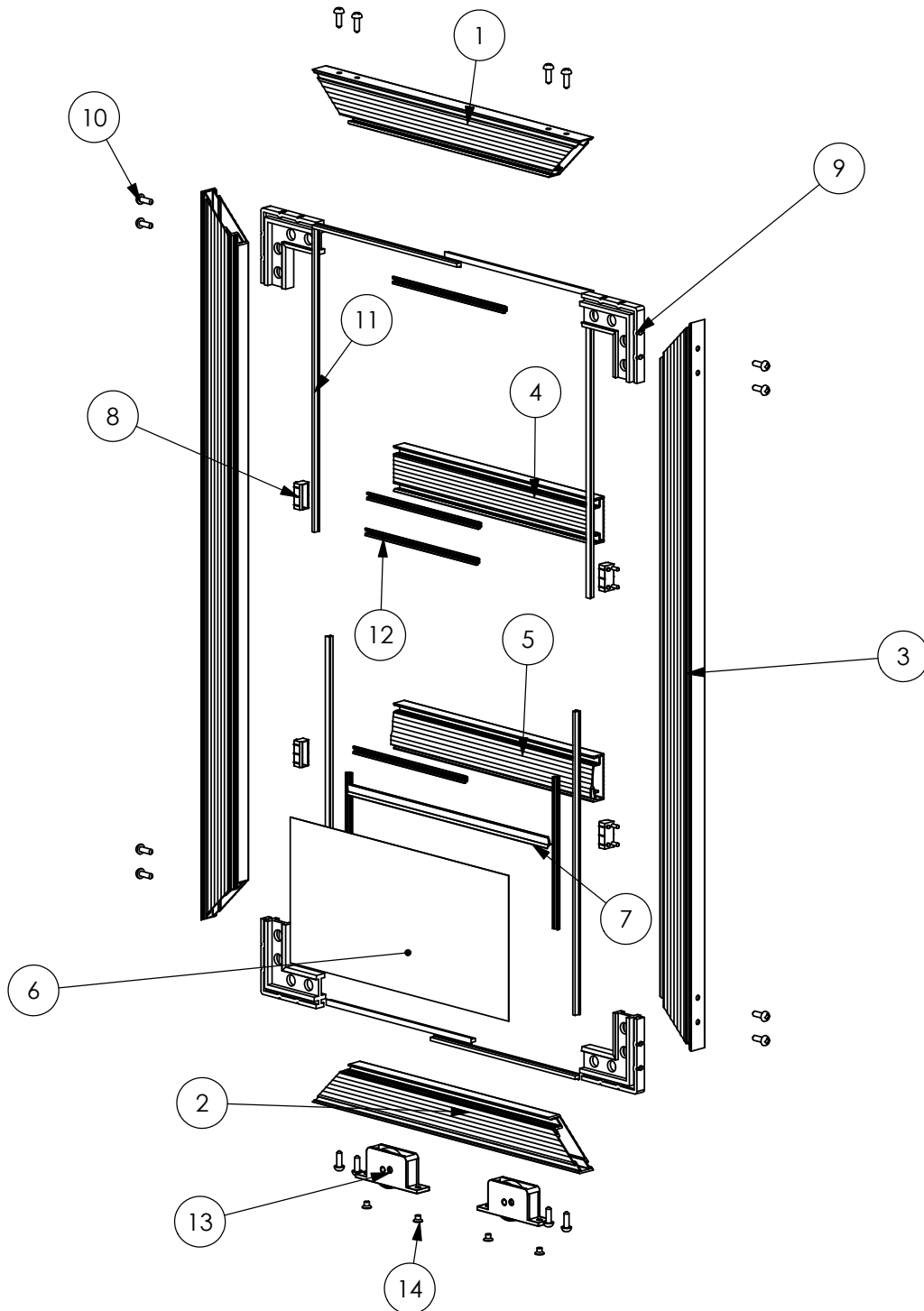
DELUXE ROLLER

Note: Custom Window Systems, Inc reserves the right to change material design and/or construction without notice or liability.





GARAGE DOOR VENT



Number	Part
1	HEAD
2	SILL
3	JAMB
4	CENTERBAR
5	KICKPANEL BAR
6	KICKPANEL

Number	Part
7	KICKPANEL SPLINE
8	SMALL INSERT
9	LARGE CORNER KEY
10	ASSEMBLY SCREW
11	WOOLPILE
12	VSPLINE

Number	Part
13	DELUXE ROLLER ASSEMBLY
14	ROLLER SCREW